



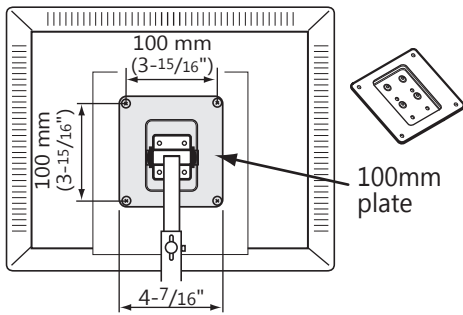
# SURFACE MOUNT ARM

Dimensions are for underneath side of worksurface. Product specifications are subject to change without notice. Dimensions are nominal.

## MAXIMUM MONITOR DIMENSIONS & WEIGHT

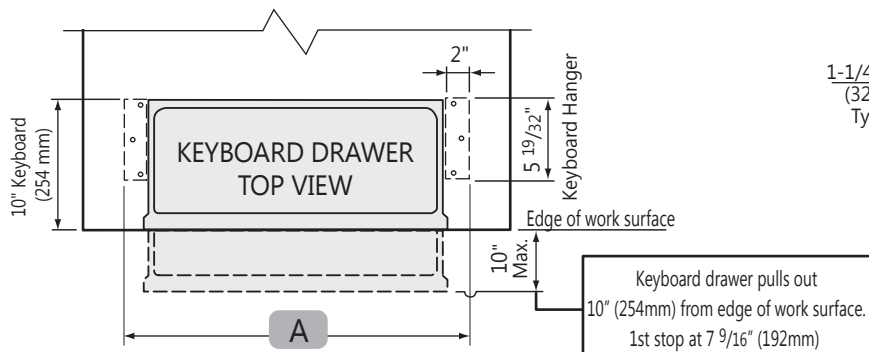
- Fits up to 24" widescreen monitors
- Weight of monitor cannot exceed 21 lbs

## VESA PLATE (100mm included, 75mm available)



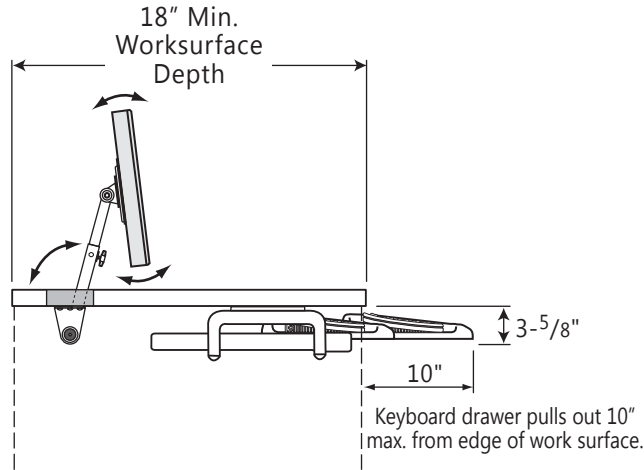
Refer to pricebook for keyboard availability with each kit.

Keyboard Size	Dimension A — Min. Kneespace Width	Dimension B — Keyboard Drill Pattern
22"	22" (559 mm)	18 13/16" (478 mm)
24"	25 7/8" (657 mm)	22 19/32" (574 mm)
27"	28 5/8" (727 mm)	25 5/16" (643 mm)
28"	29 1/2" (749 mm)	26 1/8" (663 mm)
30"	31 5/8" (803 mm)	28 1/16" (712 mm)
34"	35 1/2" (902 mm)	32 1/8" (815 mm)

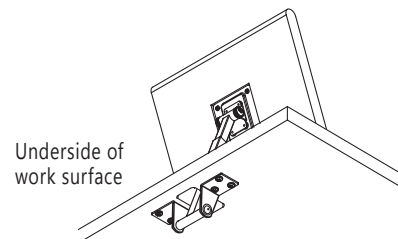
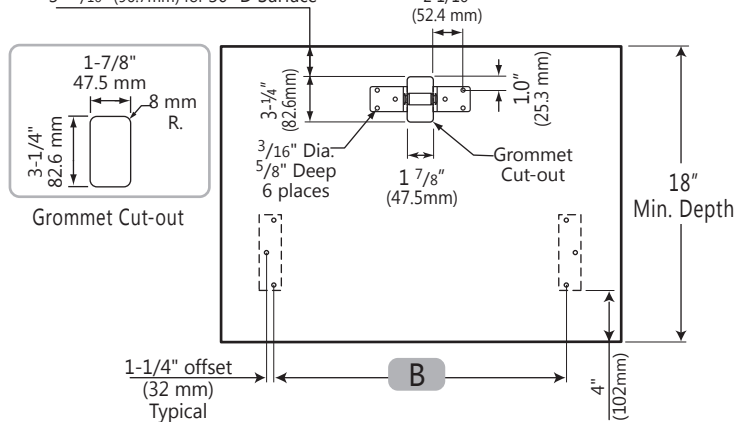


## MINIMUM WORK SURFACE DEPTH

- Minimum Work Surface depth 18"



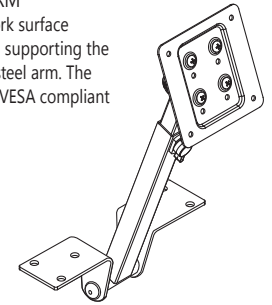
1-1/16" (27mm) for 18" or 24" D Surface,  
3-13/16" (96.7mm) for 30" D Surface



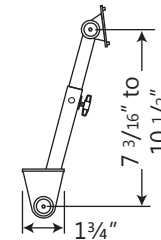
## FEATURES

### SURFACE MOUNT ARM

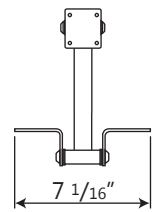
Mounts underneath work surface through grommet hole, supporting the flat panel display on a steel arm. The display attaches with a VESA compliant steel plate.



### SIDE VIEW

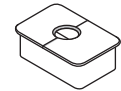


### FRONT VIEW



### GROMMET

Black plastic work surface grommet with removable cover.



### KEYBOARD DRAWER

Textured black thermoformed ABS keyboard drawer features soft radius edges. Five positive inward and outward stop locations. Outward locking tabs prevent accidental removal of keyboard drawer.

