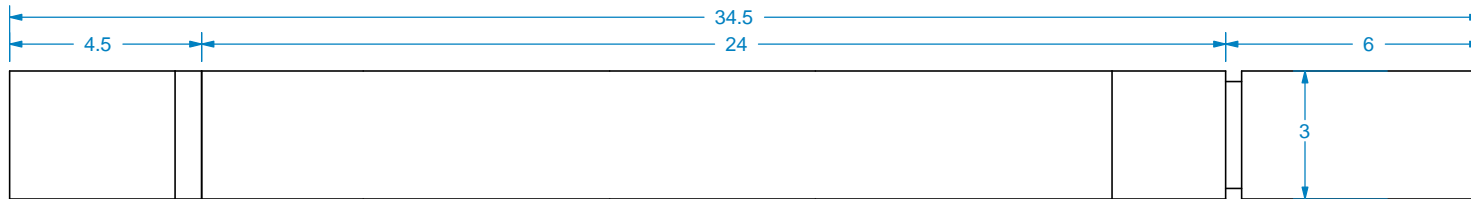
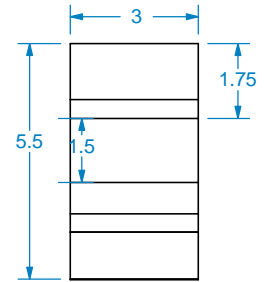
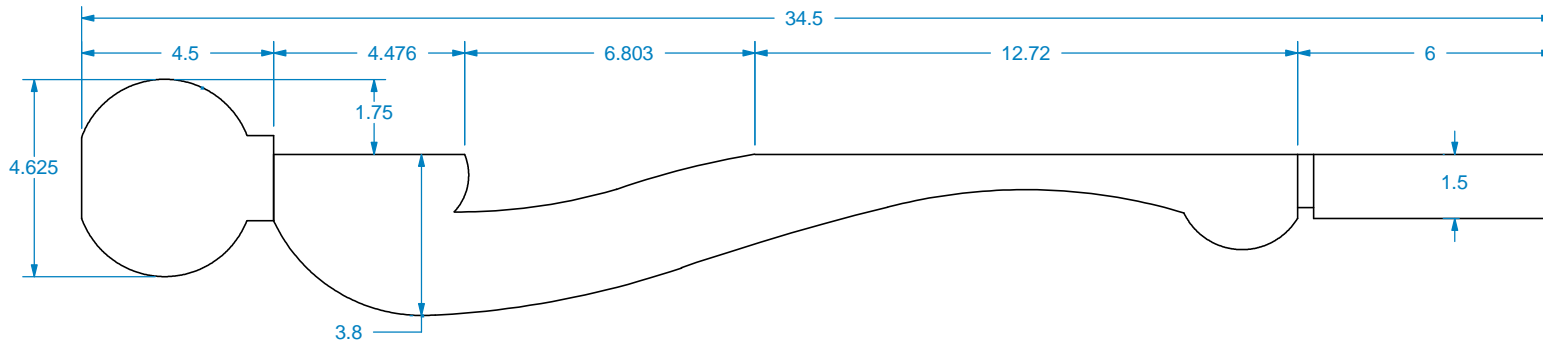
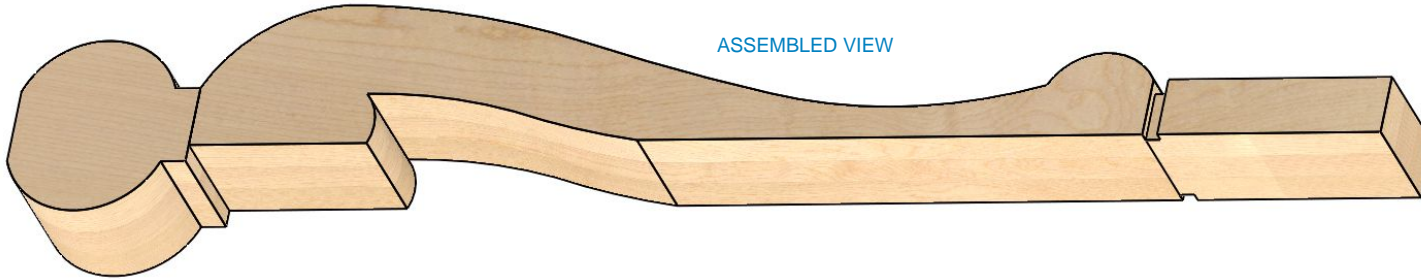


3 PIECE UNASSEMBLED VIEW



ASSEMBLED VIEW



MILL PER SAMPLE



REVISION HISTORY		
REV	REV DATE	DESCRIPTION

TOLERANCES	
WIDTH	± .03125"
THICKNESS	± .03125"
LENGTH	± .0625"
ANGULAR	± x.x°
PROFILE	± x.xxx"
Use General Tolerances Unless Noted	

MATERIALS AND FINISHES	
PLEASE VISIT OUR WEBSITE FOR A COMPLETE LIST. www.brownwoodinc.com 1-800-328-5858	
NOTES:	
Do not scale. Use dimensions only. All dimensions are in inches unless noted	

TITLE: BAROQUE 3PC ISLAND COLUMN	
NOMINAL SIZE 3" X 5.5" X 34.5"	
DWG #: 01610210-1	REV:
DATE: 4/24/2019	SCALE: 1:4.5