

Flap Stay with Catch

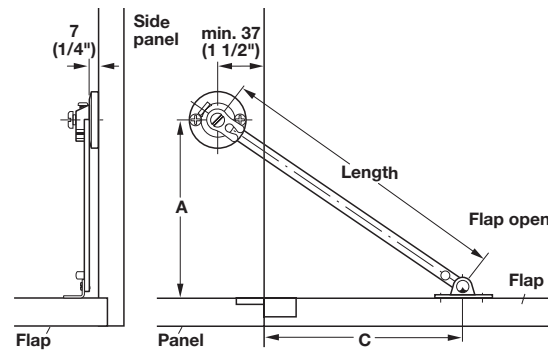
- Screw-mounted
- Reversible, can be installed left or right, configured for right hand installation
- To adjust braking action, loosen or tighten screw on stay, as needed

Material: Steel/Plastic

Length	Nickel-plated/White	Nickel-plated/Brown
225 (8 13/16")	365.75.710	365.75.112
275 (10 13/16")	365.75.729	365.75.121

Note

Keep brake piston rod free of oil, grease and other contaminants at all times.



Length	Inside cabinet depth	A	C
225 (8 13/16")	min. 190 (7 1/2")	135 (5 5/16")	Determine by trial mounting
275 (10 13/16")	min. 240 (9 7/16")	175 (6 7/8")	

Dimensional data not binding. We reserve the right to alter specifications without notice.