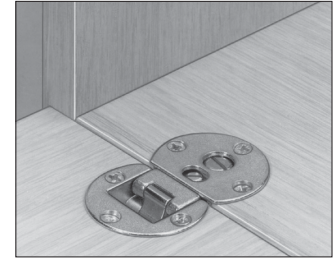
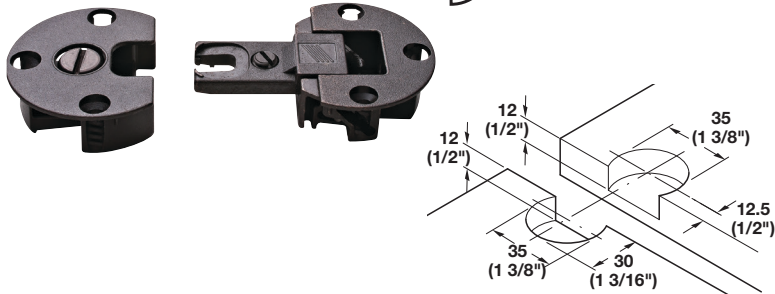


- Three-way adjustable and detachable
- The two cups can be released and detached for added shipping and installation convenience



Opening angle: **90°**

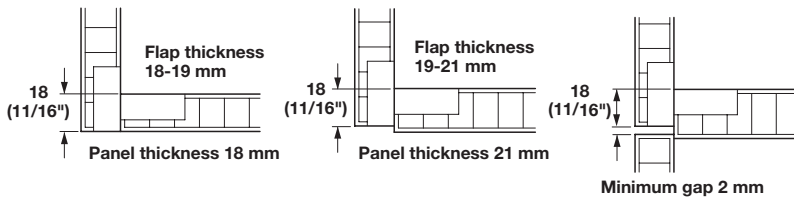


All-Metal Flap Hinge

Material: Zinc, die-cast

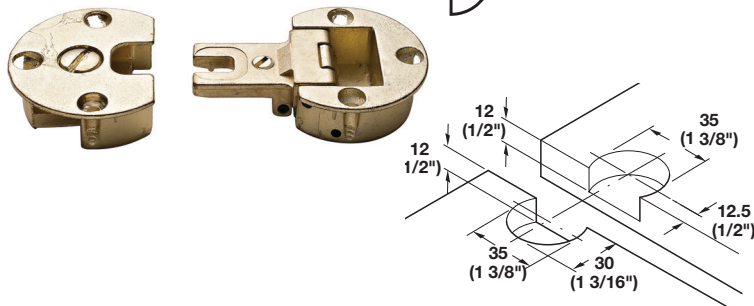
| Finish | Item No. |
|---------------|------------|
| nickel-plated | 342.66.709 |
| brass-plated | 342.66.503 |
| bronzed | 342.66.101 |

Supplied With
Mounting screws



There is a 1 mm gap between flap and shelf when the flap is lowered.

Opening angle: **90°**

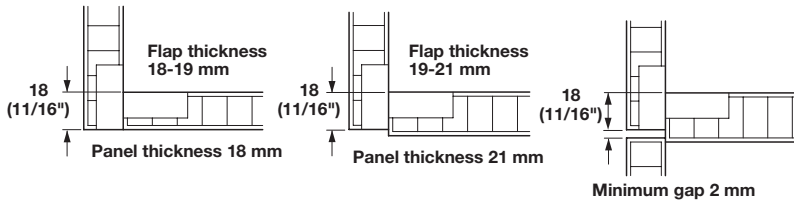


A-Series All-Metal Flap Hinge

Material: Zinc, die-cast

| Finish | Item No. |
|---------------|------------|
| nickel-plated | 342.66.740 |
| brass-plated | 342.66.540 |
| bronzed | 342.66.140 |

Supplied With
Mounting screws



There is a 1 mm gap between flap and shelf when the flap is lowered.