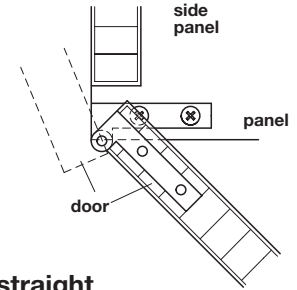
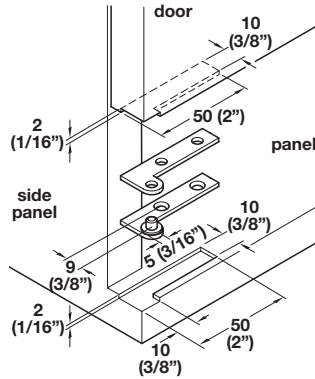


Opening angle: **250°**



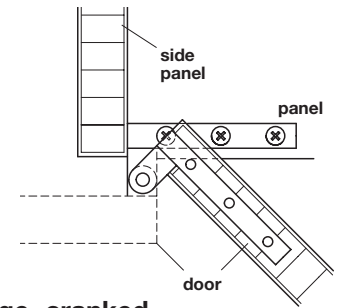
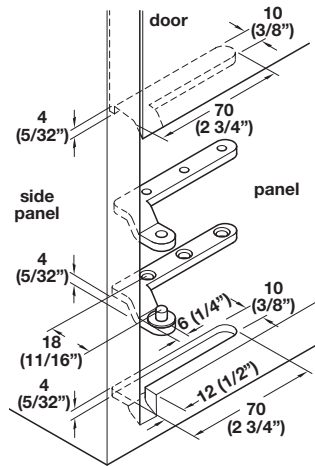
**Corner Pivot Hinge, straight**

- Screw-mounted
  - Max. door opening angle 250°
  - Without stop
  - With outer knuckle
- Length: 50 mm (1 15/16")

Material: Brass, polished

Item No.
362.10.803

Opening angle: **180°**



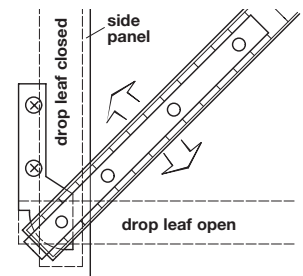
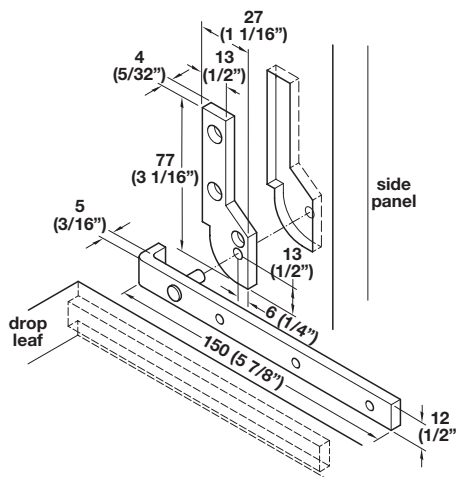
**Corner Pivot Hinge, cranked**

- Screw-mounted
  - Max. door opening angle 180°
  - Without stop
  - With outer knuckle
- Length: 70 mm (2 3/4")

Material: Brass, matt

Item No.
362.01.500

Opening Angle: **90°**



**Desk Pivot Hinge**

- Mounts on drop leaves, screw-mounted
  - With stop
- Length: 150 mm (5 7/8")

Material: Brass, polished

Item No.
361.50.820

Flat head screws

pages 11.137-11.138, 11.140

Dimensions in mm  
Inches are approximate

Dimensional data not binding. We reserve the right to alter specifications without notice.