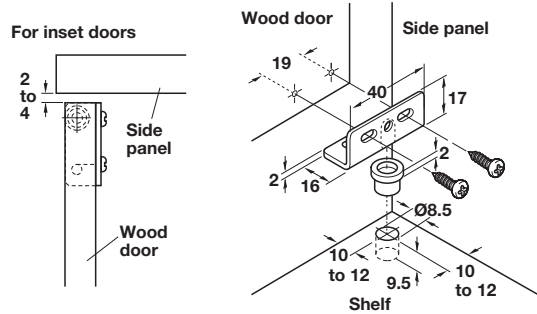


**For Wood Doors and Lids**



**Simplex-wood Door Hinge**

- With press-fit bushing
- Door thickness 14 – 19 mm (9/16" – 3/4")

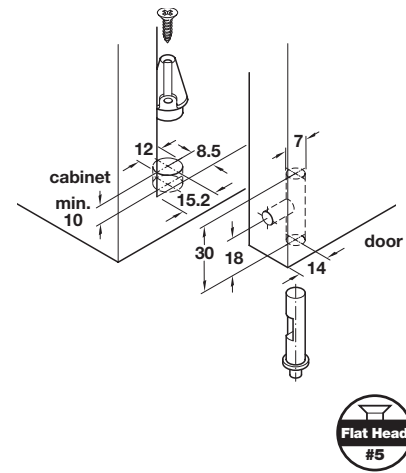
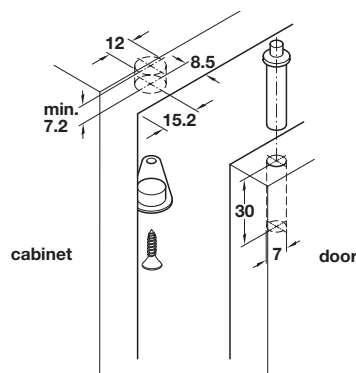
Material: Steel; Bushing: Plastic; Color: black

Finish/Color	Item No.
chrome-plated	361.42.293
black	361.42.391

**Supplied With**  
Bushings  
Screws

**Note**  
Dimensions shown on mounting diagrams are only approximate  
Please conduct trial mounting to determine your exact dimensions

**Max. Opening Angle: 140°**



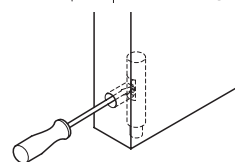
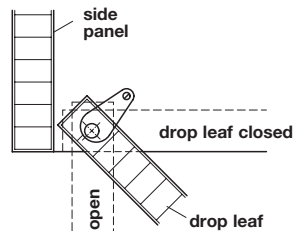
**Pivot Hinge**

- Door thickness 2 – 21 mm (1/16" – 13/16")
- Both pins spring-loaded: no tools required for installation
- Detachable

Material: Plastic; Pivot: Steel

Color	Item No.
black	361.22.310

**Supplied With**  
2 pins  
2 bushings



**Note**  
To detach door, insert a small screwdriver into hole located in door edge. Then, use screwdriver to lift spring-loaded pin inside lower bushing.  
**Important** Be sure to match holes in door and bushing.

**Note**  
To increase or reduce gap, turn tab on its pivot bearing. Once adjusted as desired, secure tab in position using a small wood screw as shown.

Dimensional data not binding. We reserve the right to alter specifications without notice.

Flat head screws pages 11.137-11.138, 11.140