

Hinges with Fixed Pin

- 5 knuckles
- Knuckles (approx.) Ø5.5 mm

Material: Steel; Finish: yellow chromated

A x B (approx.)	Material thickness (D)	Holes per wing	Item No.
50 x 35 (1 15/16" x 1 3/8")	1.2	2	354.12.905
50 x 50 (1 15/16" x 1 15/16")	1.0	3	354.12.906

#5 x 5/8" Flat Head Screw

- Countersunk
- For use with 354.12.905 & 354.12.906

Material: Steel

Finish	Item No.
yellow galvanized	015.33.544

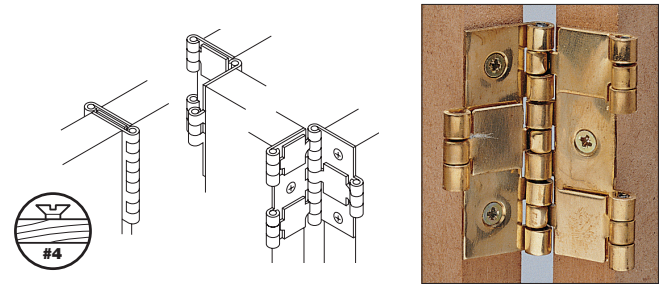
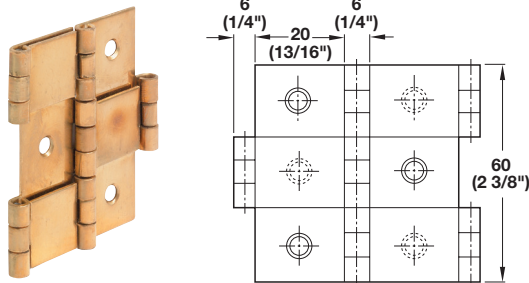
Packing: 1000 pcs.

Screen Hinge

- 3-part, pivotable in both directions

Material: Brass, polished

Wood thickness	Item No.
20 (13/16")	341.20.815

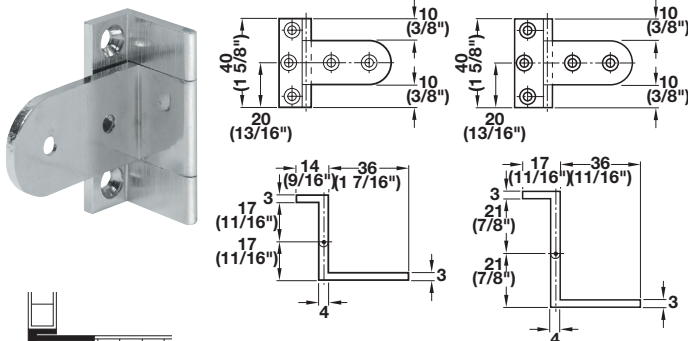


Neuform Cranked Hinge

- Butt hinge for overlay doors
- Barrel length: 40 mm

Material: Solid Brass; Finish: nickel-plated polished

Door thickness	Side panel thickness	Item No.
15 - 16 (9/16" - 5/8")	from 14 (9/16")	307.05.705
19 - 20 (3/4" - 13/16")	from 17 (11/16")	307.04.708



Cranked Hinge

- Butting for front-hung doors
- Door thickness: 20 - 21 mm (13/16")
- Side panel thickness: optional
- Barrel length: 50 mm

Material: Solid Brass

Finish	Left	Right
nickel-plated matt	307.01.636	307.01.627

Dimensional data not binding. We reserve the right to alter specifications without notice.

Flat head screws	pages 11.137-11.138, 11.140
Flat head wood screws	page 11.144