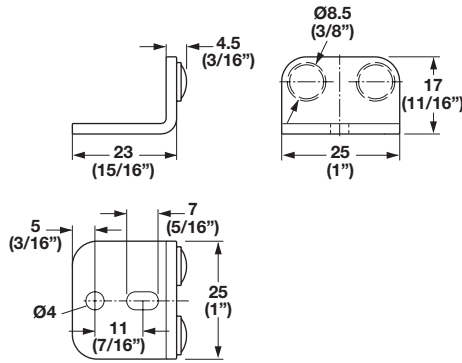


- For single doors
- Inset doors when self-closing concealed hinges are used
- Various door stop applications

Material: Bracket: Steel
Bumper: Polyurethane, transparent

Finish	Item No.
nickel-plated	251.79.602

Supplied With
48 brackets
48 bumpers
Polybag

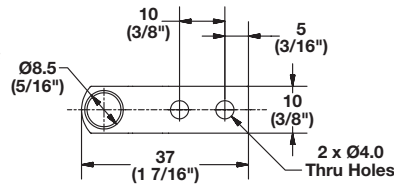
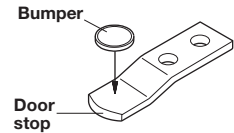


- For double doors
- Inset doors when self-closing concealed hinges are used
- Various door stop applications

Material: Bracket: Steel
Bumper: Polyurethane, transparent

Finish	Item No.
nickel-plated	251.79.604

Supplied With
48 brackets
96 bumpers
Polybag



- Use with revolving kitchen corner units with inset doors such as Häfele's Suzie-Q™
- Inset doors when self-closing concealed hinges are used
- Various inset door applications

Material: Bracket: Steel
Bumper: Polyurethane, transparent

Finish	Item No.
nickel-plated	251.79.600

Supplied With
48 brackets
48 bumpers
Polybag

Note
Bumpers do not come attached. Wood screws must be ordered separately.