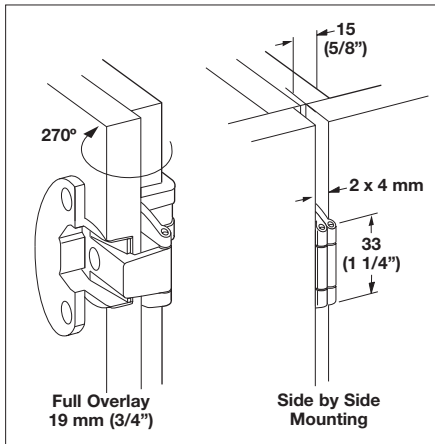
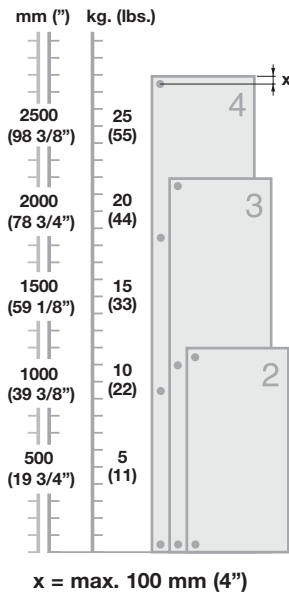
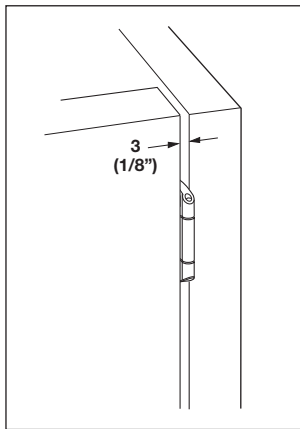


Aximat® 200 Single Pivot Hinge

- For full overlay or inset doors
- Hinge cup component available in screw-mount or dowel-mount
- Arm and cup screw-mount together
- Door overlay (side to side) adjustment +3 mm
- Height adjustment ± 2 mm
- Inset version offers ± 2 mm of depth adjustment
- For side panel thickness 19 mm (3/4")
- For door thicknesses up to 21 mm (13/16")
- Integrated catch keeps doors closed, no additional magnetic catches required
- For single cabinets and storage walls
- Tested in accordance with ANSI/BHMA Grade 1 standards

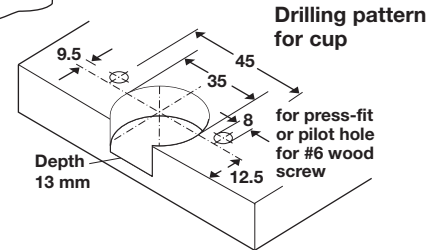
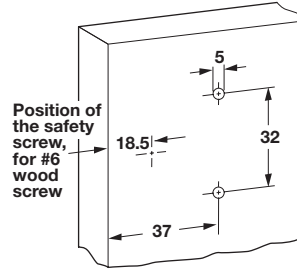


Door overlay 15 mm +
knuckle 4 mm = 19 mm (3/4")



Recommended number of Hinges

- Door widths up to 600 mm (23 5/8")
- Door width should not exceed height



Cup

- Screw-mounted

Material: Zinc

Finish	Item No.
matt nickel	344.05.800



Cup for 8 mm holes

- Dowel-mounted

Material: Zinc

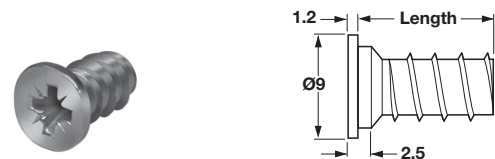
Finish	Item No.
matt nickel	344.05.810

Arm

- Without screws

Material: Zinc; Finish: matt nickel

Overlay	Opening angle	Item No.
Full	270°	344.05.910
Inset	180°	344.05.914



Varianta Euro Screw

- For hinge arm attachment

Material: Steel; Finish: nickel-plated

Length	Item No.
7/16"	013.20.716
5/8"	013.20.743



Note

Attachment screws are not included. A #6 flat head wood screw is used for safety screw and hinge cup attachment. For hinge arm attachment to side panel, see Varianta Euro screws.

Flat head wood screws

page 11.144

Dimensional data not binding. We reserve the right to alter specifications without notice.