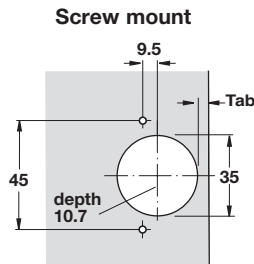


### Grass TEC Face Frame – Soft Close

- Soft close mechanism is pre-mounted in the hinge cup
- Adjustment switch to regulate closing action
- One-piece hinge and base plate
- 3-dimensional adjustment
- Cam side and depth adjustment
- Front locating tabs position hinge on face frame
- Cup drilling depth: 10.7 mm (7/16")
- Overlay: 6 – 25 mm (1/4" – 1")

*soft&silent)))*

Opening angle: **108°**



### Side Mount

- Dowel mount

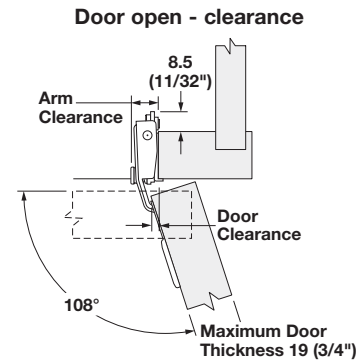
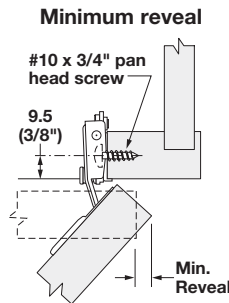
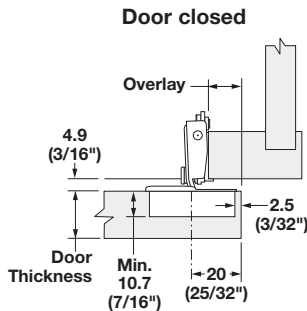
| Overlay     | Door Clearance | Arm Clearance | Item No.   |
|-------------|----------------|---------------|------------|
| 12.7 (1/2") | 3.5 (1/8")     | 11 (7/16")    | 348.90.000 |

### Wrap Around

| Overlay     | Door Clearance | Arm Clearance | Dowel      | Screw      |
|-------------|----------------|---------------|------------|------------|
| 6 (1/4")    | 11 (7/6")      | 14.5 (9/16")  | 348.90.020 | 348.90.010 |
| 11 (7/16")  | 5.1 (13/64")   | 11 (7/16")    | 348.90.021 | 348.90.011 |
| 12.7 (1/2") | 3.5 (1/8")     | 11 (7/16")    | 348.90.022 | 348.90.012 |
| 19 (3/4")   | 0              | 11 (7/16")    | 348.90.023 | 348.90.013 |
| 25 (1")     | 0              | 11 (7/16")    | 348.90.024 | 348.90.014 |

### Note

Flat head screw is for hinge cup; Pan head screw is for base plate.



| Door Thickness | Minimum Reveal |
|----------------|----------------|
| 16 (5/8")      | 4.2 (5/32")    |
| 17.5 (11/16")  | 5.4 (7/32")    |
| 19 (3/4")      | 6.7 (1/4")     |

Dimensional data not binding. We reserve the right to alter specifications without notice.

|                  |                             |
|------------------|-----------------------------|
| Flat head screws | pages 11.137-11.138, 11.140 |
| Pan head screws  | pages 11.139-11.140         |

Dimensions in mm  
Inches are approximate