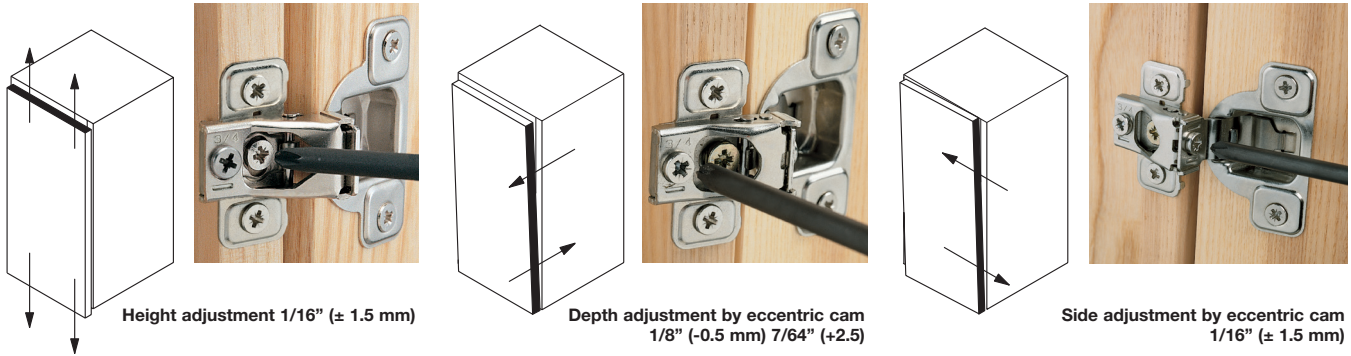
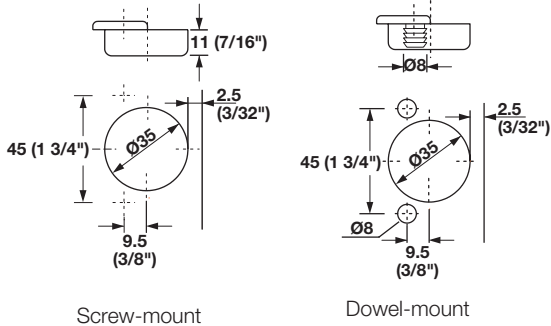
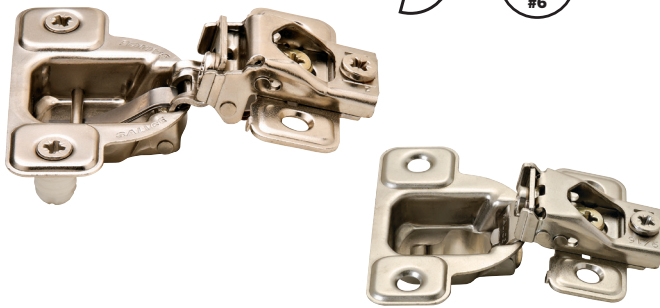


Salice

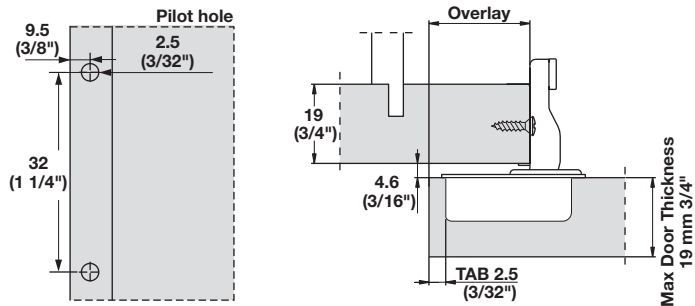
- Stamped steel
- Cup depth 11 mm (7/16")
- Opening angle 106°
- Tab fixed at 2.5 mm (3/32")
- Zero door protrusion
- Self-closing



Opening angle: **106°**



Face Frame Cabinet

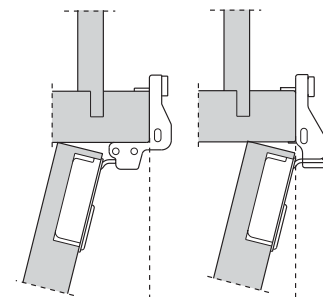


Face Frame

- 3-way adjustment with wing plate

Material: Steel; Finish: nickel-plated

Overlay	Mounting	Model	Item No.
1/2"	Screw	CSP3799XR	343.62.500
1/2"	Dowel	CSR3799XR	343.62.510
9/16"	Screw	CSP3699XR	343.62.501
9/16"	Dowel	CSR3699XR	343.62.511
5/8"	Screw	CSP3599XR	343.62.502
5/8"	Dowel	CSR3599XR	343.62.512
3/4"	Screw	CSP3499XR	343.62.503
3/4"	Dowel	CSR3499XR	343.62.513
1"	Screw	CSP3299NR	343.62.504
1"	Dowel	CSR3299NR	343.62.514
1 1/4"	Screw	CSP3A99NR	343.62.506
1 1/4"	Dowel	CSR3A99NR	343.62.516
1 5/16"	Screw	CSP3B99NR	343.62.508
1 5/16"	Dowel	CSR3B99NR	343.62.518
1 3/8"	Screw	CSP3C99NR	343.62.520
1 3/8"	Dowel	CSR3C99NR	343.62.530
1 7/16"	Screw	CSP3D99NR	343.62.522
1 7/16"	Dowel	CSR3D99NR	343.62.532



- Zero door protrusion

Dimensional data not binding. We reserve the right to alter specifications without notice.

Flat head screws pages 11.137-11.138, 11.140

Dimensions in mm
Inches are approximate