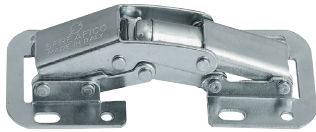
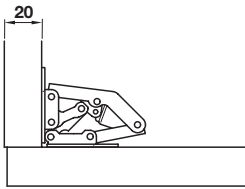


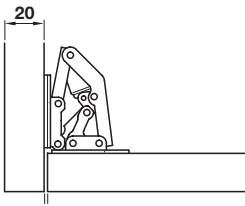
Max. door opening angle: **90°**



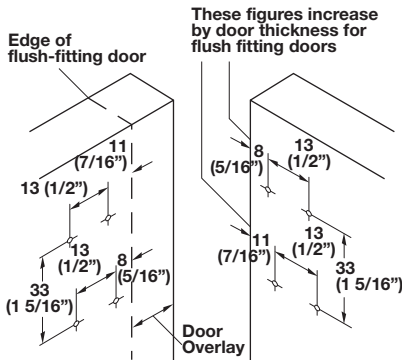
Sample installations



Overlay mounting



Inset mounting



These figures increase by door thickness for flush fitting doors



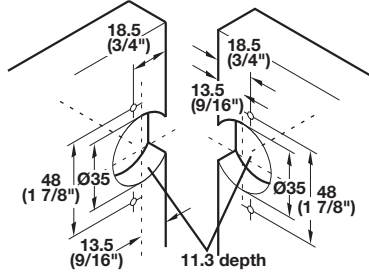
Easy Mount

- Door thickness: 16 - 20 mm (5/8" - 3/4")
- Side panel thickness: 16 - 22 mm (5/8" - 7/8")
- Horizontal adjustment, oblong holes
- Screw-mounted, self-closing

Material: Steel

Finish	Item No.
zinc-plated	343.33.920

Max. opening angle: **78°**



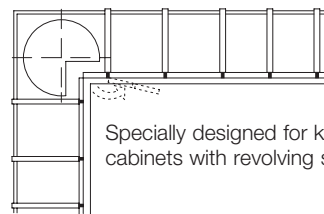
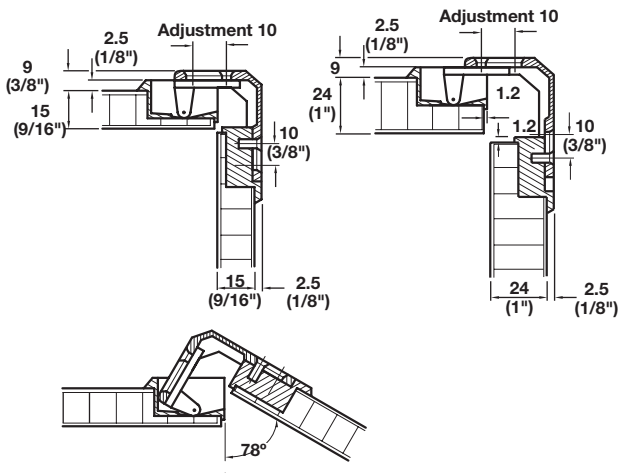
A-Series Pie-cut Corner Hinge

- Screw-mounted
- With two 35 mm cup holes
- Door thickness variable: 15 - 24 mm
- Hole size: 35 mm diameter, depth 11 mm
- Meets all design requirements for three-way adjustability, quick mounting, concealed installation and sturdy construction
- Adjustable to allow a small air circulation gap

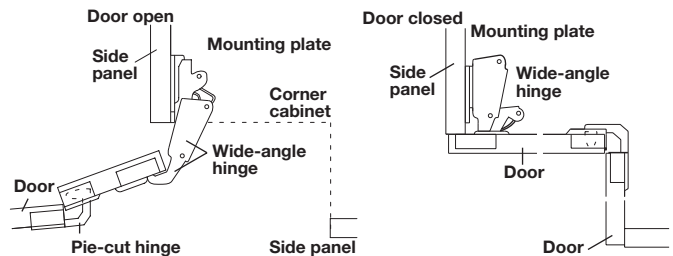
Material: Zinc, die-cast

Finish	Item No.
nickel-plated	343.90.710

Dimensional data not binding. We reserve the right to alter specifications without notice.



Specially designed for kitchen corner cabinets with revolving shelves.



Flat head screws pages 11.137-11.138, 11.140

Dimensions in mm
Inches are approximate