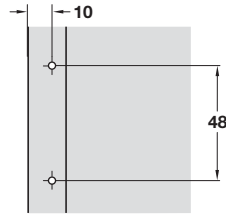
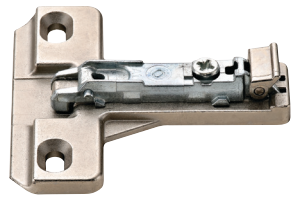
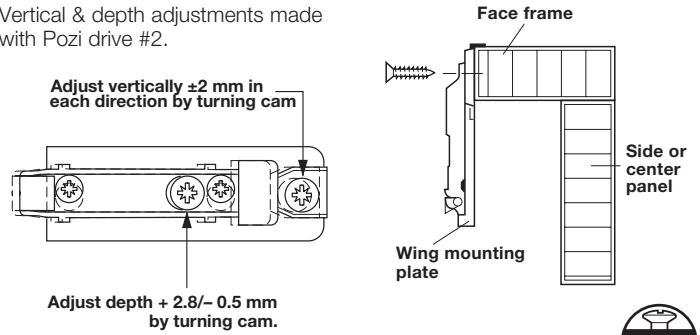


Salice – Mounting Plates

Vertical & depth adjustments made with Pozi drive #2.



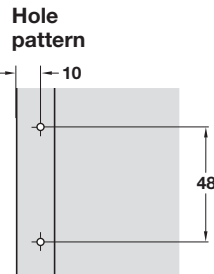
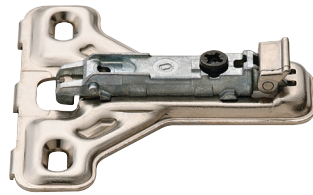
Face frame

Clip Face Frame

- Screw-mounted
- Spring lever
- Vertical adjustment

Material: Zinc, die-cast; Finish: nickel-plated

Reinforcement	Overlay	Model	Item No.
1	3/4"	BAU3E19	329.64.631
4	1/2"	BAU3E49	329.64.640



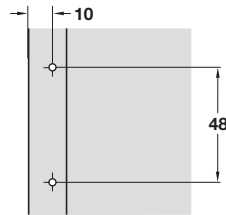
Face frame

Clip Face Frame

- Screw-mounted
- Spring lever
- Vertical adjustment

Material: Steel; Finish: nickel-plated

Reinforcement	Overlay	Model	Item No.
1	3/4"	BAU3L19	329.64.531
4	1/2"	BAU3L49	329.64.540



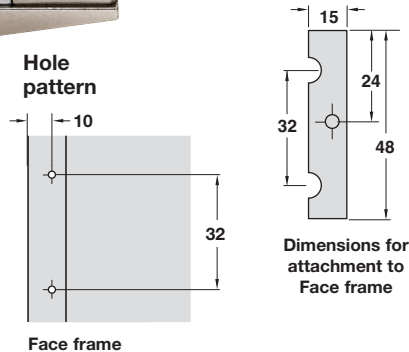
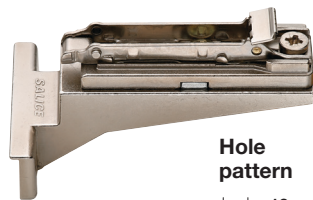
Face frame

Clip Face Frame

- Screw-mounted
- Spring lever
- Double cam
- Independent and depth vertical adjustment

Material: Zinc, die-cast; Finish: nickel-plated

Reinforcement	Overlay	Model	Item No.
1	3/4"	BAU3R19	329.64.551
4	1/2"	BAU3R49	329.64.554



Face frame

Dimensions for attachment to Face frame

Clip Face Frame

- For inset application
- Spring lever
- 2 cam adjustment
- To be used with half overlay hinge
- Independent vertical adjustment

Material: Zinc, die-cast; Finish: nickel-plated

Reinforcement	Model	Item No.
12	BAL3R59	329.67.030



Dimensional data not binding. We reserve the right to alter specifications without notice.

Pan head screws	pages 11.139-11.140
Raised head screws	page 11.145