

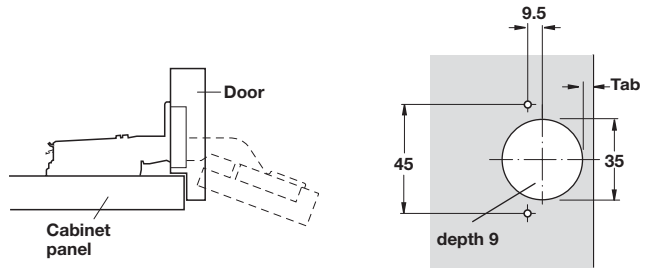
Salice – Special Application




Lipped Door Hinge

- Designed especially for lipped doors
- Cup depth of only 9 mm
- Tab: 3 - 18 mm
- Can be used for miter doors
- For thick doors or doors with mouldings or with large radius edges, please refer to special application page

Material: Cup: Steel; Hinge arm: Steel; Finish: nickel-plated



Opening Angle	Closing Method	Mounting	Overlay	Hinge Arm	Model	Item No.
110°	Self-close	Screw	Full		CBP2A99	329.26.500

Mounting plate backset distance (X) varies according to door thickness.

door thickness	16 (5/8")	19 (3/4")	22 (7/8")
backset distance for mounting plates (X)	31 (1 1/4")	28 (1 1/8")	25 (1")

Mounting plate type varies according to door thickness.

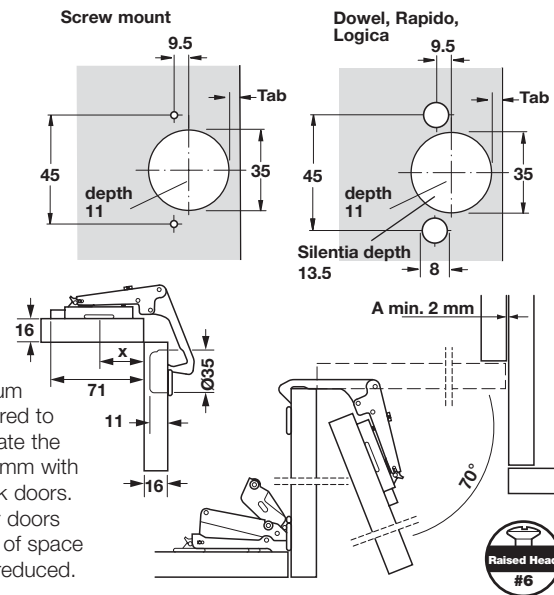
door thickness	16 (5/8")	19 (3/4")	22 (7/8")
mounting plate type	6	2.3	0
side adjustment	1 (1/32")	1 (1/32")	1 (1/32")



Pie-cut Corner Hinge

- Door thickness 16 to 22 mm (5/8" to 7/8")
- 11 mm deep zinc die-cast cup
- Cup diameter 35 mm
- Opening angle of first door 70°
- Tab: 3 - 6 mm
- Maximum door thickness 23 mm

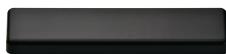
Material: Cup: Steel; Finish: nickel-plated



The maximum space required to accommodate the hinge is 71 mm with 16 mm thick doors. With thicker doors the amount of space required is reduced.



Opening Angle	Closing Method	Mounting	Model	Item No.
70°	Self-close	Screw	C2PYA99	329.19.600
70°	Self-close	Dowel	C2RYA99	329.19.610
70°	Self-close	Rapido	C27YA99	329.19.620



Trim Caps

- For hinge arm

Material: Plastic

Color	Model	Item No.
white	S2XX83A1	329.18.700
black	S2XX83A3	329.18.308

Mounting plates	pages 9.35-9.40
Raised head screws	page 11.145

Dimensional data not binding. We reserve the right to alter specifications without notice.