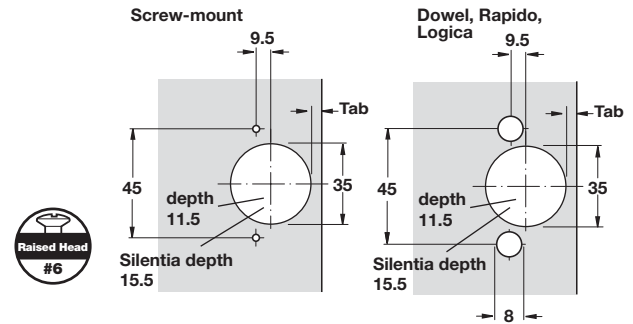


Salice

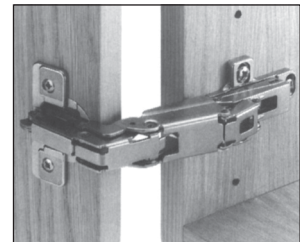
- Door thickness 16 to 35 mm (5/8" to 1 1/4")
- Side panel thickness from 16 mm (5/8")
- Tab: 3 - 9 mm



Thick Door Hinges – 35 mm cup

Material: Cup: Zinc, die-cast; Hinge arm: Steel

Opening Angle	Closing Method	Mounting	Overlay	Hinge Arm	Model	Item No.
94°	Self-closing	Screw	Full		C2PBA99	329.31.500
94°	Self-closing	Screw	Half		C2PBG99	329.31.502
94°	Self-closing	Screw	Inset		C2PBP99	329.31.503
94°	Self-closing	Dowel	Full		C2RBA99	329.31.510
94°	Self-closing	Dowel	Half		C2RBG99	329.31.512
94°	Self-closing	Dowel	Inset		C2RBP99	329.31.513
94°	Silentia Soft Close	Dowel	Full		C2RBAD9	329.31.210
94°	Silentia Soft Close	Dowel	Half		C2RBGD9	329.31.212
94°	Silentia Soft Close	Dowel	Inset		C2RBD9	329.31.213



Thick Door Hinges – 35 mm cup

Material: Cup: Zinc, die-cast; Hinge arm: Steel

Opening Angle	Closing Method	Mounting	Overlay	Hinge Arm	Model	Item No.
155°	Self-closing	Screw	Full		C2PDA99	329.46.500
155°	Self-closing	Screw	Half		C2PDG99	329.46.502
155°	Self-closing	Dowel	Full		C2RDA99	329.46.510
155°	Self-closing	Dowel	Half		C2RDG99	329.46.512
155°	Silentia Soft Close	Dowel	Full		C2RDAD9	329.46.210
155°	Silentia Soft Close	Dowel	Half		C2RDGD9	329.46.212

Dimensional data not binding. We reserve the right to alter specifications without notice.

Mounting plates	pages 9.35–9.40
Raised head screws	page 11.145