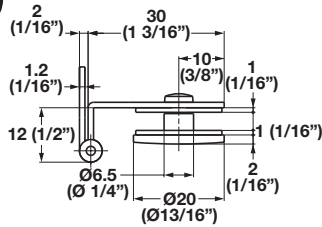
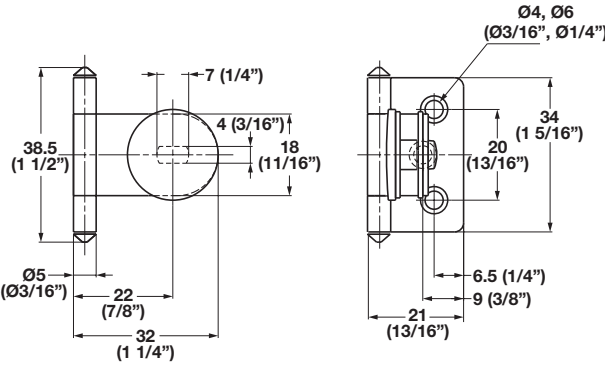
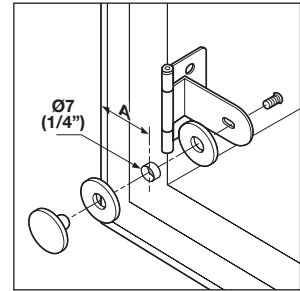
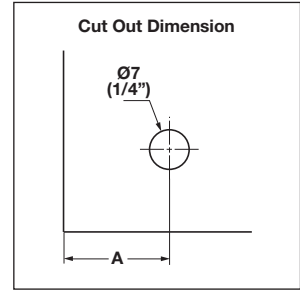


For Lightweight Glass Doors

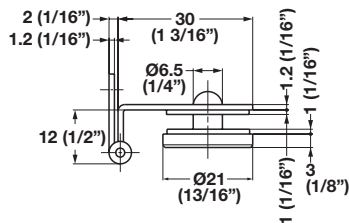
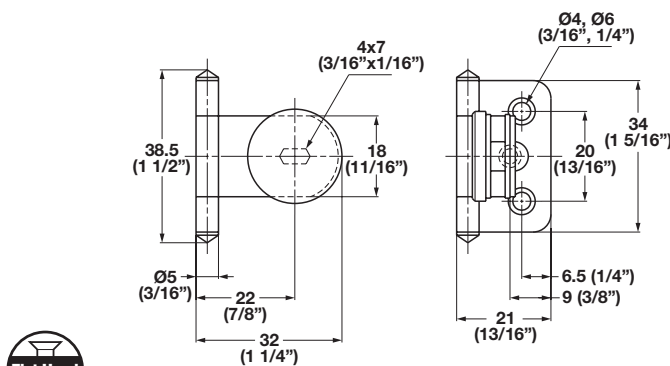
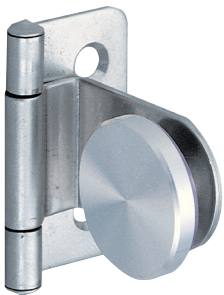
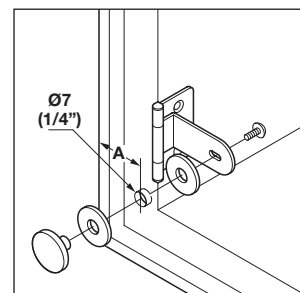
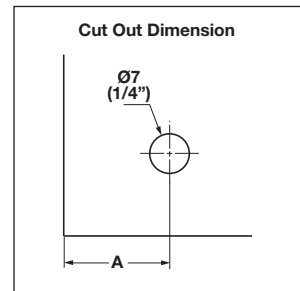
- For inset doors
- Max door size (W x H): 450 mm (17 11/16") x 700 mm (27 9/16")
- Max door weight: 4 kg (8.8 lbs.)/pair
- Requires 7 mm drill hole in glass
- Opening angle 180°
- Screw-mounted

Glass Thickness	A
4 (5/32")	19
5 (13/16")	18
6 (15/64")	17



Material: Steel

Finish	Item No.
chrome-plated	361.46.200



Glass Thickness	A
4 (5/32")	19
5 (13/16")	18
6 (15/64")	17

Material: 304 Stainless Steel

Item No.
361.46.010

Dimensional data not binding. We reserve the right to alter specifications without notice.

Flat head screws pages 11.137-11.138, 11.140