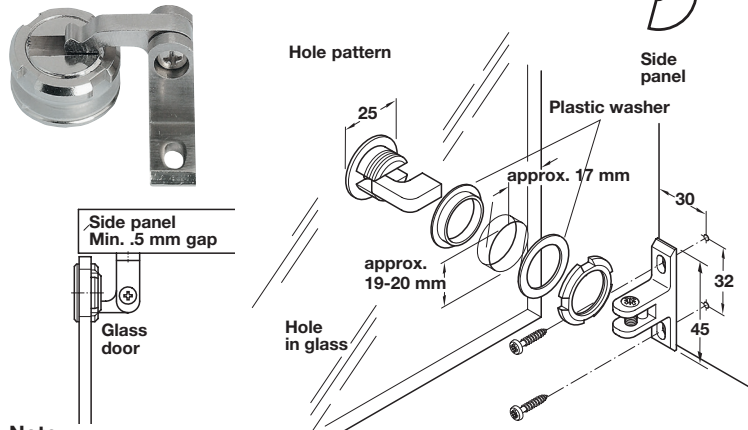


**For Lightweight Glass Doors**

- For inset doors
- Requires 7 mm drill hole in glass



Opening angle: **105°**



**Note**  
To determine the exact tab distance for your application, please make a trial mounting with 1/4" wood material.

**Claronda Glass Door Hinge**

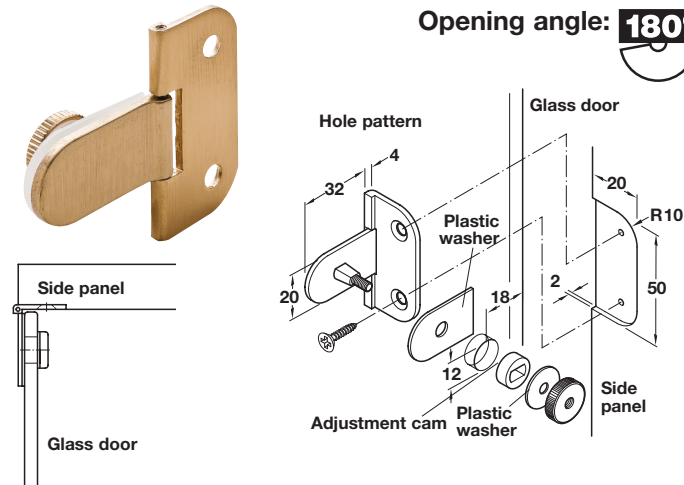
- Screw-mounted
- Stylish solid brass hinges for inset doors
- Installation requires drilling a hole in glass
- Door and side panel components installed separately
- Door component detaches by removing mounting screw
- Reversible: can be used left or right
- For glass thicknesses 4 mm (3/16") to 6 mm (1/4")
- Max door size: Width: 450 mm (17 11/16")  
Height: 700 mm (27 9/16")

Material: Solid Brass

Finish	Item No.
chrome-plated polished	361.47.207



Opening angle: **180°**



**Glass Door Hinge**

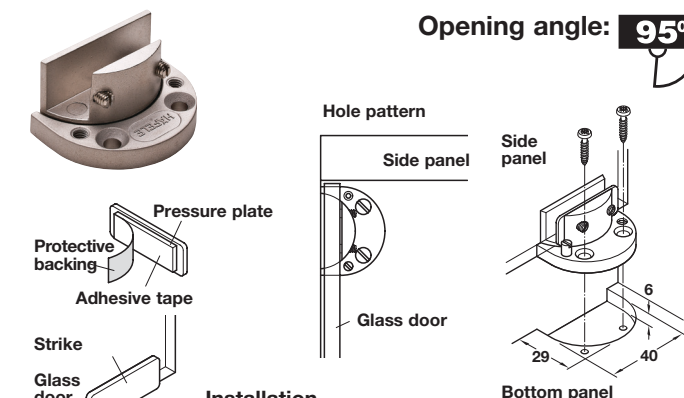
- Screw-mounted
- Exposed-knuckle hinges with 3 mm (1/8") horizontal adjustment for inset doors
- Installation requires drilling a hole in glass
- Thumbscrew secures glass
- Reversible: can be used left or right
- For glass thicknesses 6 mm (1/4")
- For inset doors
- Max. door weight: 4 kg (8.8 lbs.)
- Max. door size: Width: 350 mm (13 3/4")  
Height: 800 mm (31 1/2")

Material: Brass

Finish	Item No.
brass matt	361.85.501
nickel-plated matt	361.85.609



Opening angle: **95°**



**Installation**  
Remove protective backing from adhesive tape  
Position pressure plate on glass door  
Attach hinge body to base  
Adjust glass door  
Tighten mounting screws

**Glass Door Hinge**

- Screw-mounted, for inset doors
- Reversible: can be used left or right
- For glass thicknesses 6 mm (1/4")
- Max. door weight: 4 kg (8.8 lbs.)
- Max. door size : Width: 350 mm (13 3/4")  
Height: 800 mm (31 1/2")

Material: Zinc, die-cast

Finish	Item No.
nickel-plated matt	361.49.603
nickel-plated polished	361.49.701

Flat head screws	pages 11.137-11.138, 11.140
Pan head screws	pages 11.139-11.140