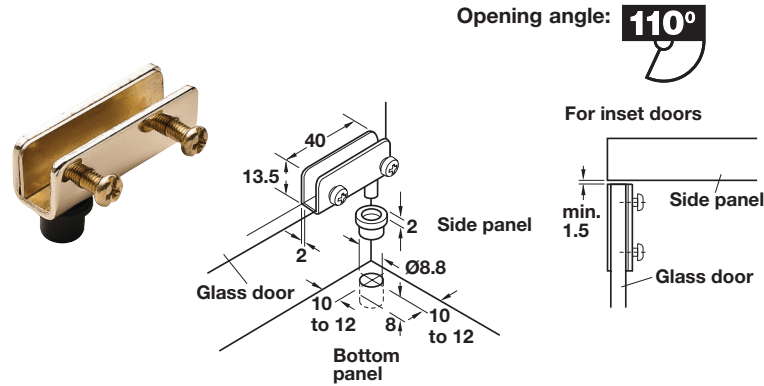
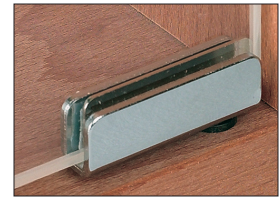


**For Lightweight Glass Doors – Non-Bore Hinge**

**Note**

Dimensions shown on mounting diagrams are only approximate.  
Please conduct trial mounting to determine your exact dimensions.



**Simplex-Inset Glass Door Hinge**

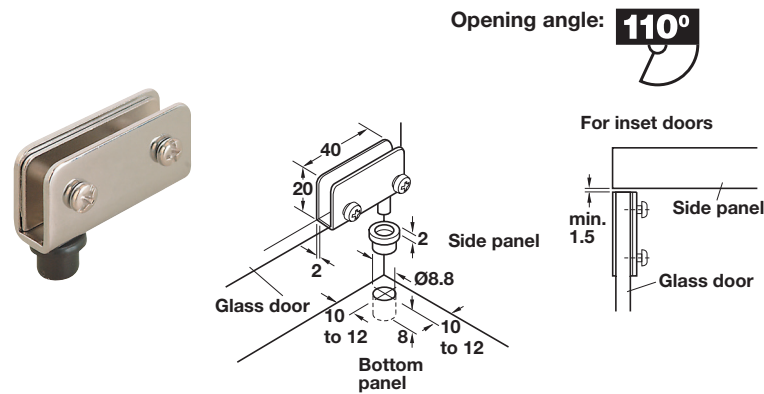
- With press-fit bushing
- Self-adhesive pressure plates and screws included
- Glass thickness to 5 mm (3/16")

Material: Steel; Bushing: Plastic

Finish/Color	Item No.
chrome-plated	361.42.202
brass-plated	361.42.800
black	361.42.300

**Supplied With**

Left hinge  
Right hinge



**Simplex-Inset Glass Door Hinge**

- With press-fit bushing
- Self-adhesive pressure plates and screws included
- Glass thickness to 6 mm (1/4")

Material: Steel; Bushing: Plastic

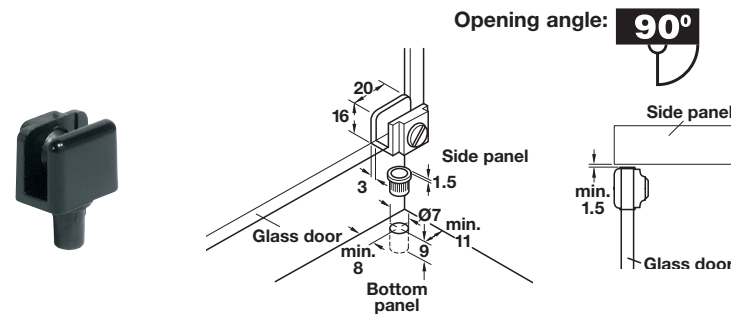
Finish/Color	Item No.
chrome-plated	361.42.211
black	361.42.319

**Supplied With**

Left hinge  
Right hinge



9



**Decorative-Inset Glass Door Hinge**

- With press-fit bushing
- Steel set screw with plastic pad
- Glass thickness to 6 mm (1/4")

Material: Zinc, die-cast

Fastening screw: Steel; Bushing: Plastic

Color	Item No.
matt black	361.69.310

Dimensions in mm  
Inches are approximate