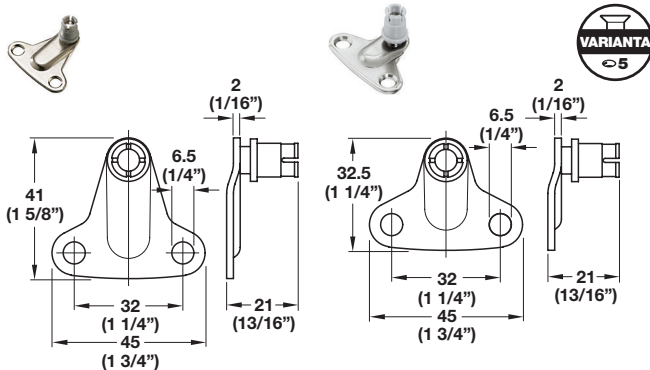


Maxi - Accessories



Mounting Bracket for Cabinet

Material: Steel; Finish: nickel-plated

For edge distance (cabinet)	Item No.
37 (1 7/16")	373.69.906
28 (1 1/8")	373.69.907



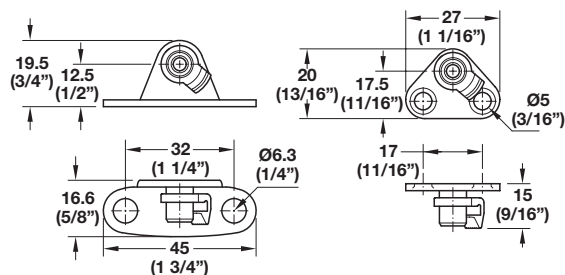
373.66.036

373.69.505



373.69.908

373.69.909



For doors made of wood or with aluminum frame, from frame width 45 mm (1 3/4")

For doors with aluminum frame 20 mm (13/16")

Screw-on Bracket for Door

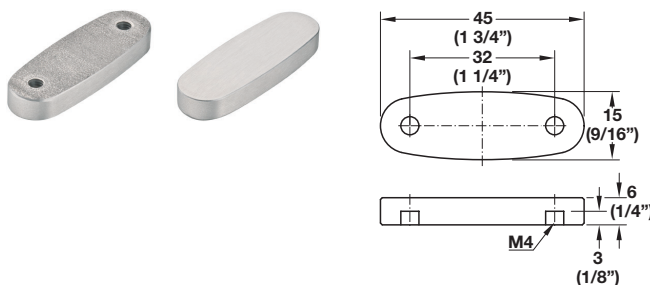
- For doors made of wood or with aluminum frame
- From frame width: 45 mm (1 3/4")

Material: Steel; Finish: nickel-plated

Installation	Item No.
wood screws	373.66.681
euro screws	373.66.036
with slide-on clip (for easy mounting), for Euro screws	373.69.908
with slide-on clip (for easy mounting), for wood screws	373.69.912

- For doors with aluminum frame
- From frame width: 20 mm (13/16")

Installation	Item No.
with slide-on clip (for easy mounting)	373.69.909
without slide-on clip	373.69.905



Glass Gluing Adapter for Glass Fronts

- For using the screw-on brackets with wood or wide aluminum frames on glass or mirror doors
- For glue fixing (UV glass adhesive bonds)

Material: Stainless steel, brushed

Finish	Item No.
nickel-plated	373.69.780

Note

When using the glass gluing adapter the Maxi dimensions have to be set back further into the cabinet by the adapter height 6 mm (1/4").

Soft Closing Mechanism

- For edge distances 28 and 37 mm (1 1/8" and 1 7/16")
- Adjustable dampening distance

Material: Zinc alloy

Finish	Item No.
nickel-plated	373.69.799

Note

The mounting bracket for the cabinet is not required when using the soft closing mechanism.

Dimensional data not binding. We reserve the right to alter specifications without notice.

Varianta screws	Page 11.146
Flat head screws	Pages 11.137-11.138, 11.140

Dimensions in mm
Inches are approximate