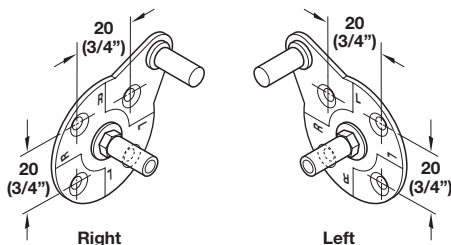
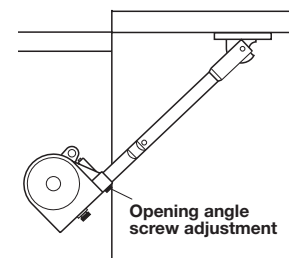
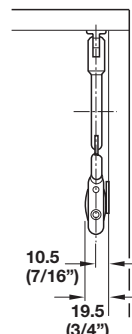
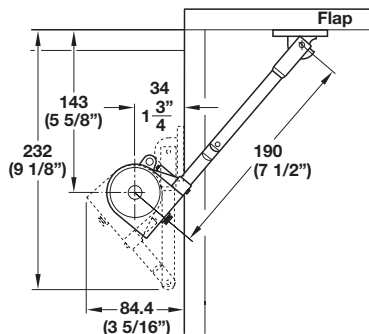
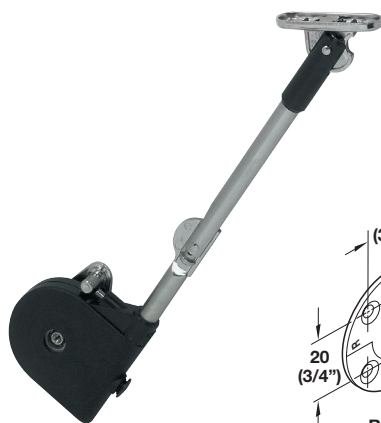
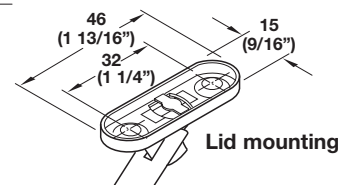


Opening angle: **80° - 100°**



Side panel mounting



*soft&silent*)))

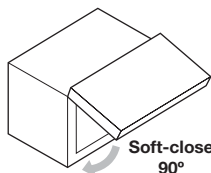
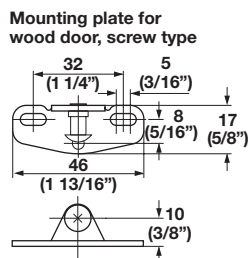
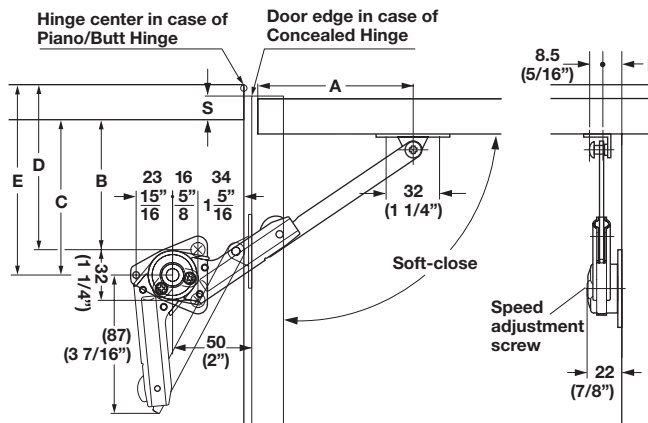
- Lid bracket attachment
- Reversible, can be installed left or right

Material: Plastic and Steel; Finish: nickel-plated

Color	Item No.
black	365.31.300
white	365.31.700

**Supplied With**  
Mounting screws

Opening angle: **90°**



*soft&silent*)))

- For upward-opening door with piano, butt, or concealed hinges
- Designed to hold door in fully opened position
- Speed adjustment screw located on the front for easy adjustment
- Torque calculation:  
Torque = door height x 1/2 x door weight  
Per piece: 20~70 kg/cm (19~60 lbs/inch)  
Per pair: 40~140 kg/cm (38~120 lbs/inch)

Material: Steel; Finish: nickel-plated

Handing	Item No.
left	365.31.681
right	365.31.680

**Supplied With**  
Mounting screws

Opening angle	Hinge Type	A	B	C	D	E	F
90°	Concealed	98	97-S	113-S	-	-	12
	Piano/butt	91.5	-	-	90.5	106.5	

Dimensions in mm  
Inches are approximate