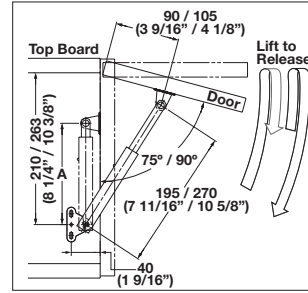
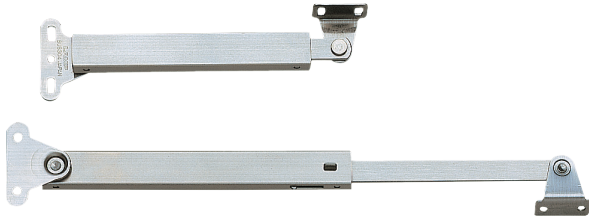
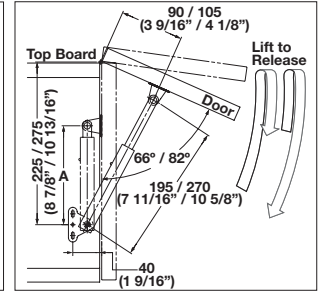


**304 Stainless Steel**

- Unhanded
- Only one stay required per lid



( ) Dimension...L-270  
Max. Opening Degree  
L-195: 75°, L-270: 90°

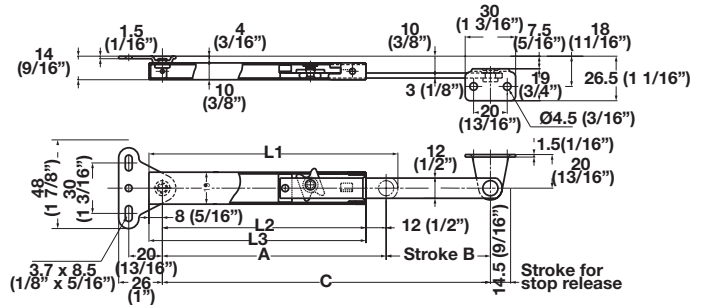


( ) Dimension...L-270  
Max. Opening Degree  
L-195: 66°, L-270: 82°

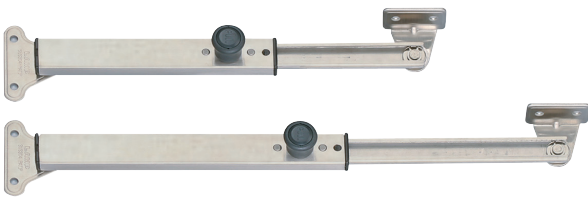


- Holds lid in the open position
- Lift up lid to release
- Max. weight: 15 kg (33 lbs.) / stay

Material: 304 Stainless Steel; Finish: satin



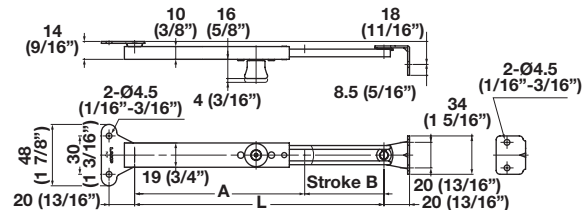
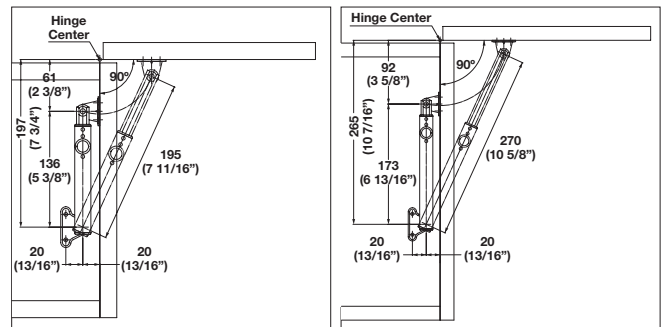
C	L1	L2	L3	A	B	Door Height	Item No.
195 (7 11/16")	148 (5 13/16")	121 (4 3/4")	129 (5 1/16")	133 (5 1/4")	62 (2 7/16")	250 – 350 (9 13/16 – 13 3/4")	373.89.000
270 (10 5/8")	185 (7 5/16")	158 (6 1/4")	166 (6 9/16")	170 (6 11/16")	100 (3 15/16")	320 – 500 (12 5/8 – 19 11/16")	373.89.001



**With Lock**

- Mechanically locks lid when fully opened
- Ideal for applications with vibration or movement
- Works well in marine and RV applications
- Max. weight: 30 kg (66 lbs.) / stay

Material: 304 Stainless Steel; Finish: satin



L	A	B	Item No.
195 (7 11/16")	133 (5 1/4")	62 (2 7/16")	373.89.010
270 (10 5/8")	170 (6 11/16")	100 (3 15/16")	373.89.011

Dimensional data not binding. We reserve the right to alter specifications without notice.

Pan head screws

pages 11.139–11.140