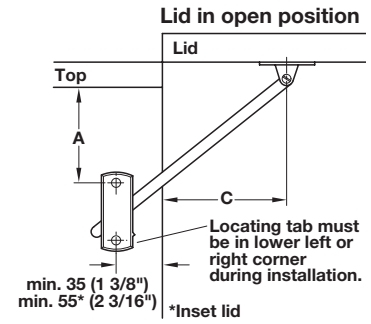
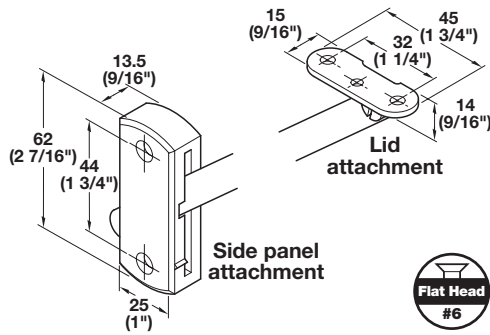


For Wood Doors

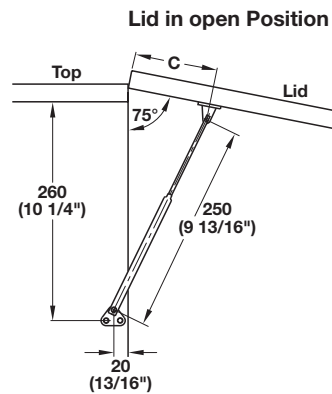


- Without braking effect
- Open flap: lift flap until stay engages
- Close flap: lift flap slightly, stop is released

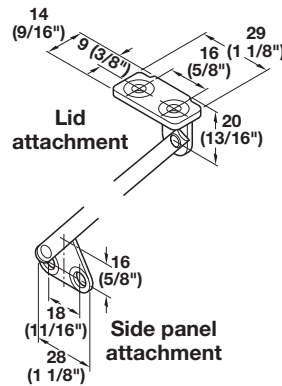
Material: Steel/Plastic; Finish/Color: nickel-plated/white

Length	Lid height	Inset lid	Overlay lid	Dimension C	Left	Right
200 (7 7/8")	max. 500 (19 5/8")	90 (3 1/2")	70 (2 3/4")	Determine by trial mounting	373.73.710	373.73.701
250 (9 13/16")	over 500 (19 5/8")	120 (4 3/4")	120 (4 3/4")		373.73.738	373.73.729

9



Dual-purpose integrated spring holds lid securely in open or closed position. Use one or two stays, depending on lid weight.



Firmatop Lid Stay

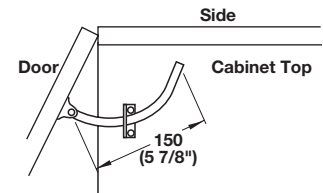
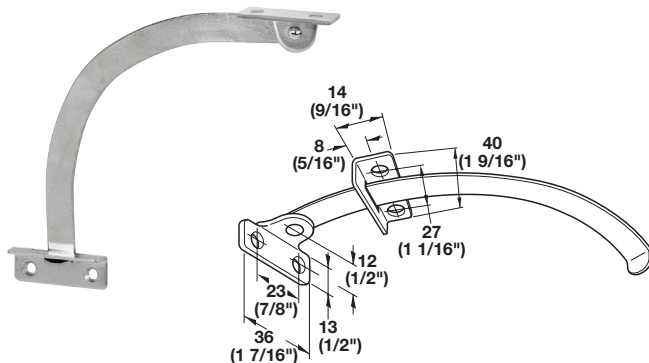
- With internal spring
- Reversible, can be installed left or right

Material: Steel

Finish	Item No.
chrome-plated	373.58.919

Note

Determine Dimension C by trial mounting



Lid Stay

- Used as door restraint

Material: Steel; Finish: nickel-plated

Handing	Item No.
left	371.32.755
right	371.32.700

Flat head screws

pages 11.137-11.138, 11.140

Dimensional data not binding. We reserve the right to alter specifications without notice.