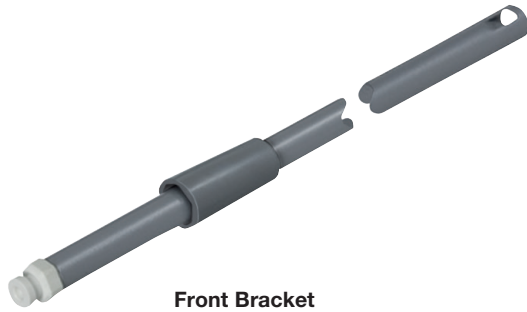
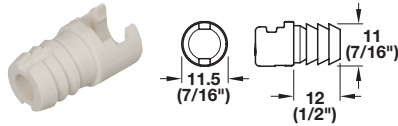


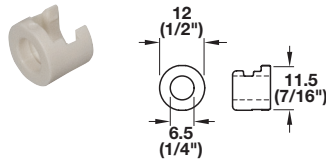
Moovit®



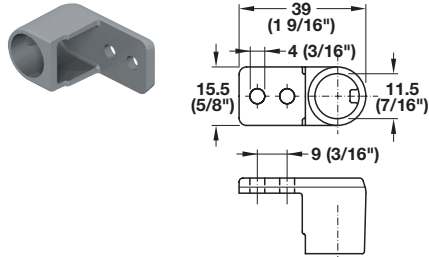
Front Bracket
press-fit



Front Bracket
screw-mount



Rear Panel Holder



Railing Set

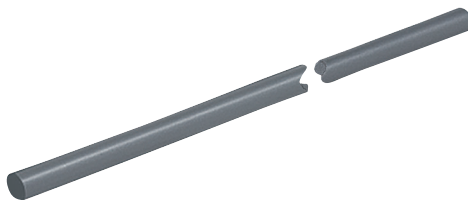
- Finish matches perfectly to profile
- Rails offer +/- 2 mm tilt adjustment

Material: Slides: Steel, epoxy-coated
Adapters/Connector: Plastic

Length	Metallic Gray	Champagne	Metallic White
270 (10 5/8")	553.59.200	553.59.800	553.59.700
300 (11 13/16")	553.59.201	553.59.801	553.59.701
350 (13 3/4")	553.59.202	553.59.802	553.59.702
400 (15 3/4")	553.59.203	553.59.803	553.59.703
450 (17 11/16")	553.59.204	553.59.804	553.59.704
500 (19 11/16")	553.59.205	553.59.805	553.59.705
550 (21 5/8")	553.59.206	553.59.806	553.59.706
600 (23 5/8")	553.59.207	553.59.807	553.59.707
650 (25 9/16")	553.59.208	553.59.808	553.59.708

Supplied With

- 2 rails
- 4 front brackets
- 2 press fit and 2 screw-mount and 2 rear panel holders



Cross Rail

- Cross rail is cut 68 mm (2 11/16") less than the inside cabinet width
- Length: 1102 mm (43 1/8")
Ø11 mm (7/16")

Material: Steel, epoxy-coated

Finish	Item No.
metallic gray	553.59.234
champagne	553.59.834
metallic white	553.59.734

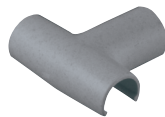
Note

Required for 120 x 40 mm Internal Drawer Bracket

Cross Rail Holder

Material: Plastic

Finish	Item No.
metallic gray	553.59.239
champagne	553.59.839
metallic white	553.59.739



Dimensional data not binding. We reserve the right to alter specifications without notice.

Varianta screws	Page 11.146
Pan head screws	Pages 11.139–11.140

Dimensions in mm
Inches are approximate