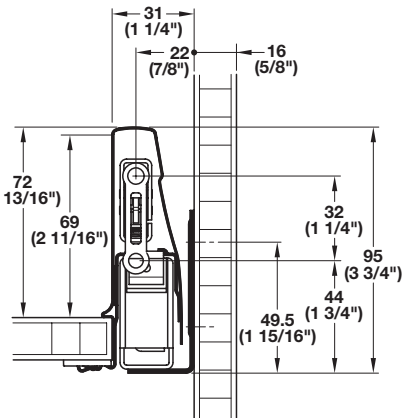


### Moovit®

- Integrated Soft & Silent mechanism for a smooth and consistent close
- Progressive roller provides even and gentle movement
- Full extension slides allow maximum access to drawer
- Profiles are 92 mm (3 5/8") tall and include pre-attached drawer back brackets
- Heavy duty weight rating: 50 kg (110 lbs.)
- 5/8" material is required for the drawer bottom and back



### Drawer Slides and Side Profiles

Material: Slides: Steel; Finish: zinc-plated

Profiles: Steel, epoxy-coated; Cover Caps: Plastic

*soft&silent*)))

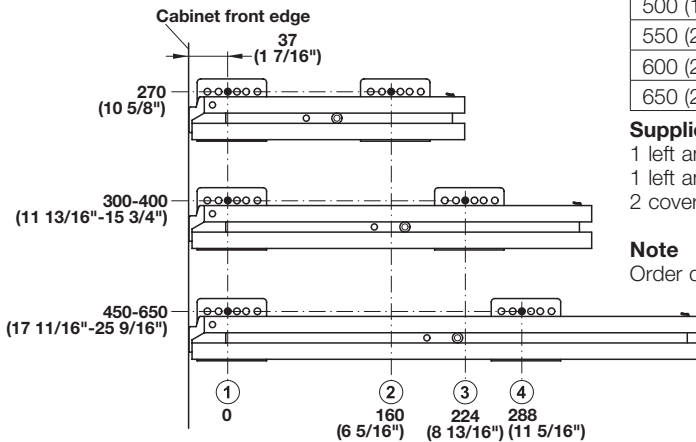
Length	Metallic Gray	Champagne	Metallic White	Stainless Steel
270 (10 5/8")	553.56.200	553.56.800	553.56.700	553.56.000
300 (11 13/16")	553.56.201	553.56.801	553.56.701	553.56.001
350 (13 3/4")	553.56.202	553.56.802	553.56.702	553.56.002
400 (15 3/4")	553.56.203	553.56.803	553.56.703	553.56.003
450 (17 11/16")	553.56.204	553.56.804	553.56.704	553.56.004
500 (19 11/16")	553.56.205	553.56.805	553.56.705	553.56.005
550 (21 5/8")	553.56.206	553.56.806	553.56.706	553.56.006
600 (23 5/8")	553.56.207	553.56.807	553.56.707	553.56.007
650 (25 9/16")	553.56.208	553.56.808	553.56.708	553.56.008

### Supplied With

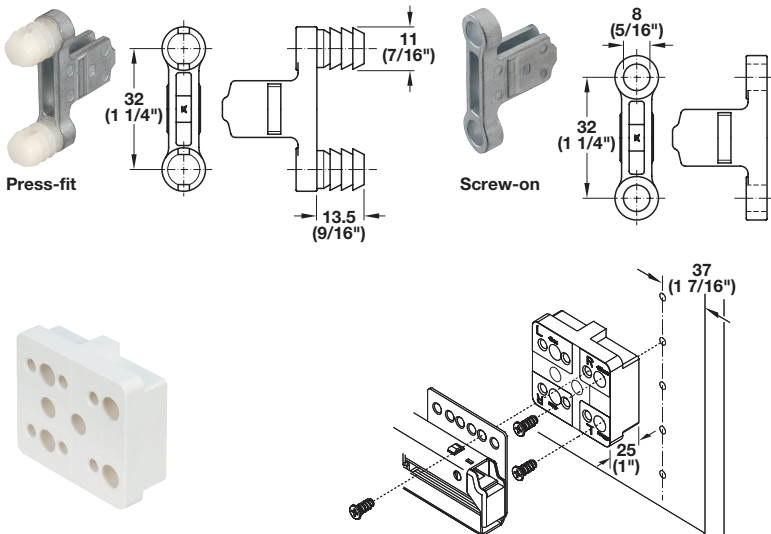
- 1 left and 1 right drawer slide
- 1 left and 1 right cabinet profile
- 2 cover caps

### Note

Order drawer front fixing brackets separately



8



### Drawer Front Fixing Brackets

Material: Zinc

Mounting	Item No.
press-fit	553.59.990
screw-on	553.59.991

### Note

Order separately, not included in the set  
2 pcs. required for one pair of slides

### Spacers

- Can be used as blocking in face frame applications
- Required for internal drawers behind a hinged door

Material: Plastic

Color	Item No.
white	553.62.700

### Note

Order separately, not included in the set  
2 pcs. required for one pair of slides

Varianta screws

Page 11.146

Dimensions in mm  
Inches are approximate