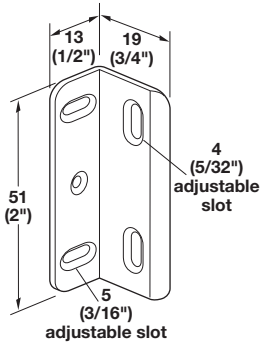


Drawer Front Adjustment Fittings



Kolbe Korner

Material: Plastic, polycarbonate

Color	Item No.	Bulk
white	260.26.760	260.26.761
light maple	260.26.160	260.26.161
clear maple	260.26.260	260.26.261
black	260.26.360	260.26.361

Note

Bulk pack contains 500 pcs.

Screw

- For Kolbe Korner above

Material: Steel

Finish	Item No.
zinc-plated	260.26.769

Fastcaps

- For Kolbe Korner above

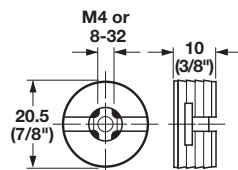
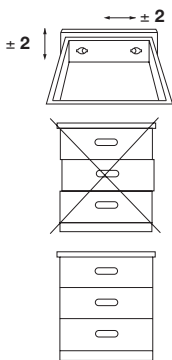
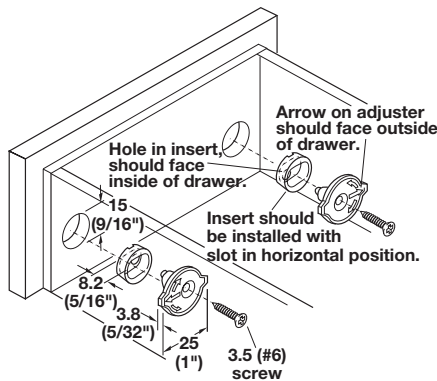
Color	Item No.
white	260.26.768
light maple	260.26.168
clear maple	260.26.268
black	260.26.368



Front Panel Adjustment Fitting

- Consists of 1 insert (Ø15 mm) and 1 adjusting element
- Pressed or glued into a Ø15 mm hole in drawer front panel (min. thickness of drawer front panel is 8 mm)
- Loosen the screws before adjusting

Color	Item No.
white	039.60.709



Drawer-Front Connector

- Pressed in a 20 mm hole in drawer front
- Allows for ± 2 mm horizontal or vertical adjustment

Material: Plastic; Color: white

	Item No.
M4	430.90.704
8-32	430.90.713

Dimensional data not binding. We reserve the right to alter specifications without notice.