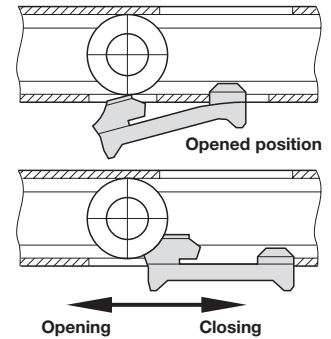


Full-Extension, Self-Closing, Premium

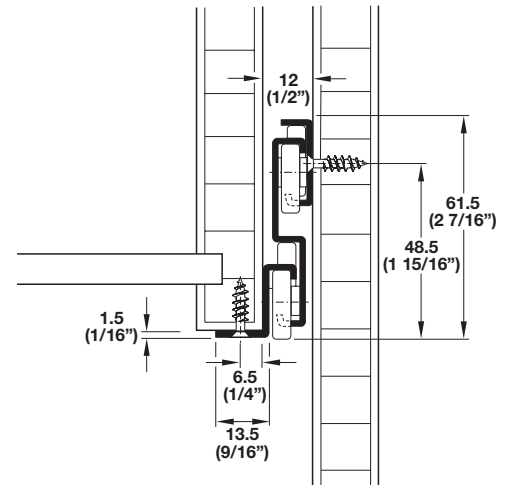
- Weight capacity: max. 68 kg (150 lbs./pair)
- Patented middle rail reinforcement, buffer and pull-out prevention clip
- High lateral stability due to specially designed profiles
- Special cabinet rail shape prevents scraping of the rollers
- Middle rail return prevention
- 2 quiet-action rollers, 6 friction bearing-mounted nylon rollers
- Double captive



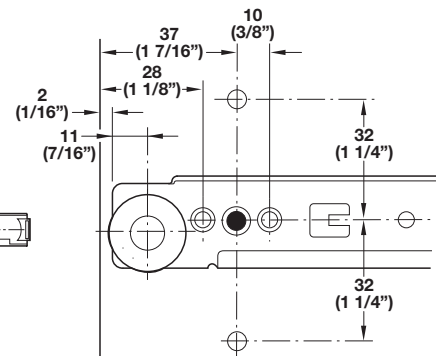
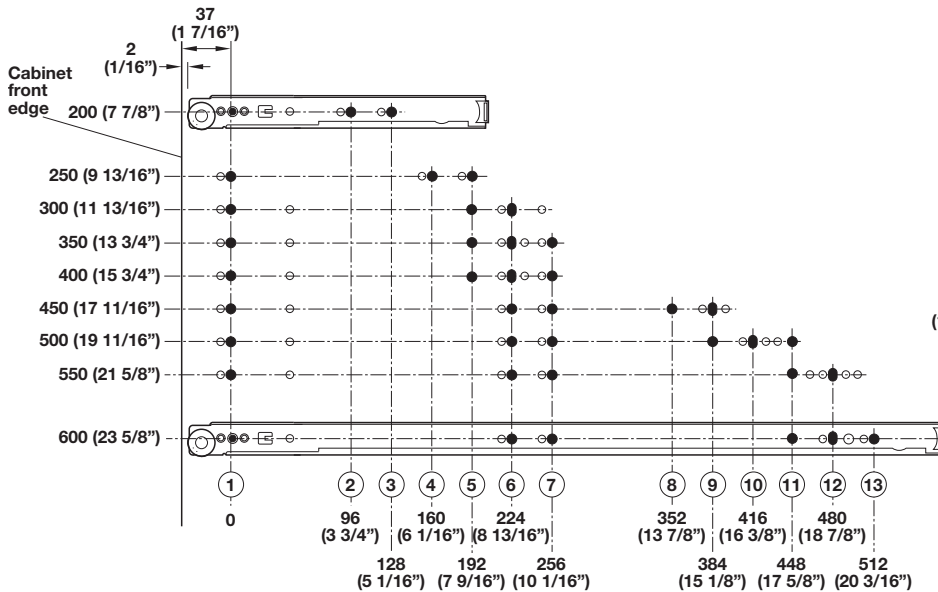
Bottom Mounted

Material: Steel, epoxy-coated; Color: white RAL 9010

Installed Length	Extended Length	Item No.
14" (350)	14 1/2" (370)	423.46.736
16" (400)	16 1/2" (420)	423.46.741
18" (450)	18 1/2" (470)	423.46.746
20" (500)	20 1/2" (520)	423.46.751
22" (550)	22 1/2" (570)	423.46.756



8



Flat head screws Pages 11.137–11.138, 11.140
Varianta screws Page 11.146

Dimensions in mm
Inches are approximate

Dimensional data not binding. We reserve the right to alter specifications without notice.