

Accuride Two Way, 3/4 Extension

- Weight capacity: 22 kg (50 lbs./pair)
- Maximum drawer width 12"
- Designed especially for installation in room dividers, kitchen islands, medical carts, pass-through shelves
- Use where access is needed from both sides of the unit

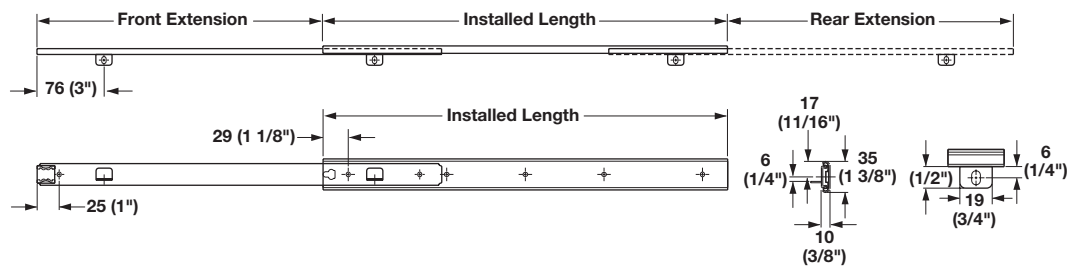
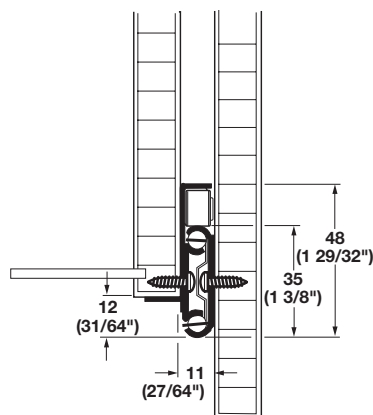
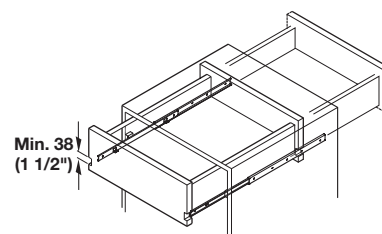


2002 - Side Mounted

Material: Steel; Finish: zinc-plated



Installed Length	Extension Length	Item No.
18" (457)	12" (305)	422.15.458
20" (508)	14" (355)	422.15.501
22" (559)	15" (381)	422.15.556
24" (610)	16" (406)	422.15.609



Dimensional data not binding. We reserve the right to alter specifications without notice.