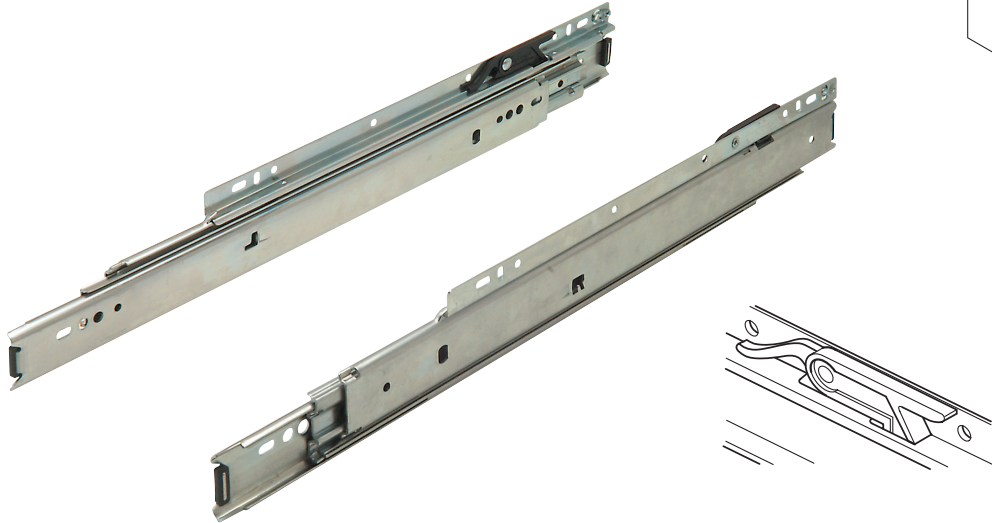
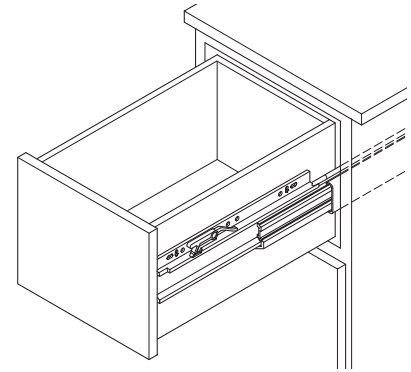


**Accuride Full Extension, Progressive**

- Weight capacity: 45 kg (100 lbs.)/pair
- With 1" overtravel
- Full drawer access with smooth, consistent movement
- Low profile - 60 mm (2 3/8")
- Steel ball bearings for increased strength & stability
- Hold-in detent, prevents drawer bounce back and roll out
- Can be mounted in either traditional or 32 mm cabinets
- Rail mounted for easy drawer installation and removal



**7434 - Side Mounted**

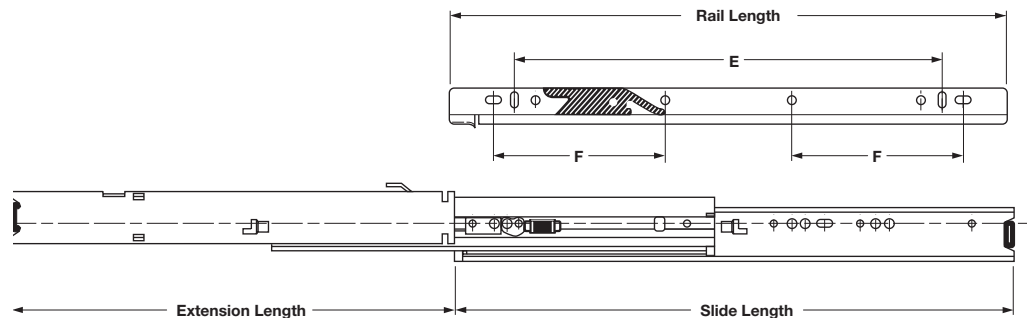
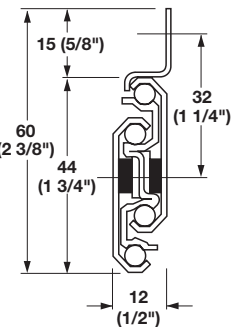
Material: Steel, Zinc-plated



Installed Length		Extension Length		Rail Length		Shop Pack		X Pack
						Zinc-plated	Black	Zinc
12"	(300)	13"	(329)	10 9/16"	(268)	422.93.930	422.93.330	422.93.932
14"	(350)	15"	(379)	10 9/16"	(268)	422.93.935	422.93.335	422.93.937
16"	(400)	17"	(430)	13 1/16"	(332)	422.93.940	422.93.340	422.93.942
18"	(450)	19"	(480)	13 1/16"	(332)	422.93.945	422.93.345	422.93.947
20"	(500)	21"	(530)	16 7/8"	(428)	422.93.950	422.93.350	422.93.952
22"	(550)	23"	(579)	20 5/8"	(524)	422.93.955	422.93.355	422.93.957
24"	(600)	25"	(629)	20 5/8"	(524)	422.93.960	422.93.360	422.93.962
26"	(650)	27"	(680)	24 7/16"	(620)	422.93.965	422.93.365	422.93.967
28"	(700)	29"	(730)	24 7/16"	(620)	422.93.970	-	422.93.972

**Supplied With**  
Mounting screws

**Note**  
X pack: 5 pairs



Rail Dimensions

Installed length	Rail length	E	F
12-14" (300 - 350)	10 1/2" (268)	7 1/2" (192)	4" (102)
15-18" (379 - 450)	13" (332)	10" (254)	4" (102)
19-21" (480 - 530)	16 3/4" (428)	13 3/4" (352)	4" (102)
22-25" (550 - 629)	20 3/4" (524)	17 3/4" (448)	7" (178)
26-28" (650 - 700)	24 1/2" (620)	21 1/2" (544)	7" (178)

Dimensional data not binding. We reserve the right to alter specifications without notice.

Varianta screws

Page 11.146