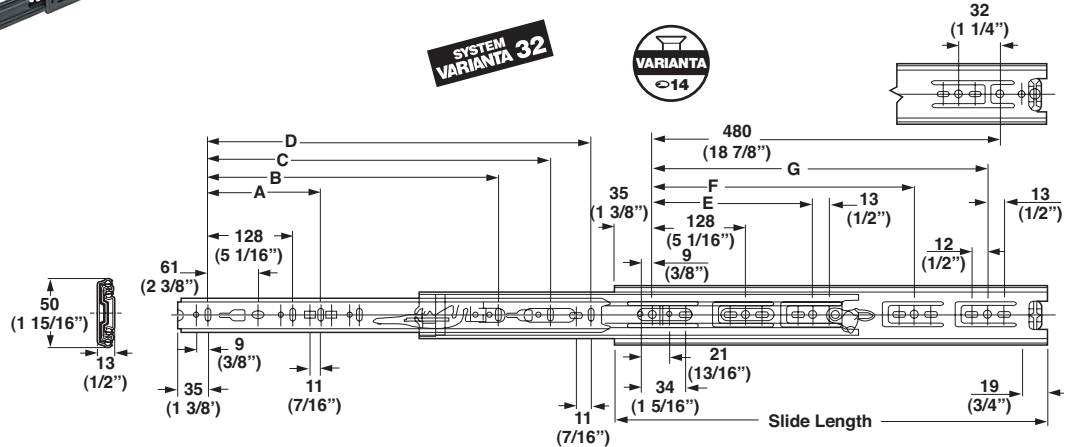


Accuride Full Extension, Telescopic

- Weight capacity: 45 kg (100 lbs.)/pair
- BMHA Certified Grade 1 HD-100
- Hold-in detent and out
- Features low profile for shallow drawers
- Easy lever disconnect
- For keyboards or any application requiring a positive hold-out
- For optimal performance make drawers 1 1/16" (27 mm) less than cabinet opening

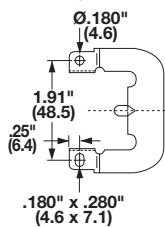


3832DO - Side Mounted

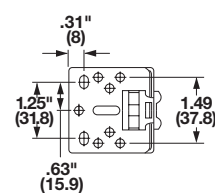
Material: Steel; plated or epoxy-coated

Installed Length	A	B	C	D	E	F	G	Zinc	Black
12" (300)				9 1/2" (242)	8 13/16" (224)			422.91.931	422.91.331
14" (350)				11 1/2" (292)	8 13/16" (224)			422.91.936	422.91.336
16" (400)				13 1/2" (342)	8 13/16" (224)	12 1/2" (320)		422.91.941	422.91.341
18" (450)		12 1/2" (320)		15 1/2" (392)		13 7/8" (352)		422.91.946	422.91.346
20" (500)		12 1/2" (320)		17 3/8" (442)		16 3/8" (416)		422.91.951	422.91.351
22" (550)		12 1/2" (320)	16 3/8" (416)	19 3/8" (492)		13 7/8" (352)		422.91.956	422.91.356
24" (600)	8 5/8" (224)	16 3/8" (416)		21 3/8" (542)	8 13/16" (224)	13 7/8" (352)	18 7/8" (480)	422.91.961	422.91.361
26" (650)	8 5/8" (224)	16 3/8" (416)	21 1/2" (554)	23 3/8" (592)	8 13/16" (224)	13 7/8" (352)	21 1/2" (554)	422.91.966	-
28" (700)	8 5/8" (224)	16 3/8" (416)	21 1/2" (554)	25 1/4" (642)	8 13/16" (224)		21 1/2" (554)	422.91.971	422.91.371

Front Clip-on Bracket



Rear Metal Bracket



Face Frame Brackets

Material: Steel

Finish	Item No.
zinc-plated	422.04.000



Dimensional data not binding. We reserve the right to alter specifications without notice.