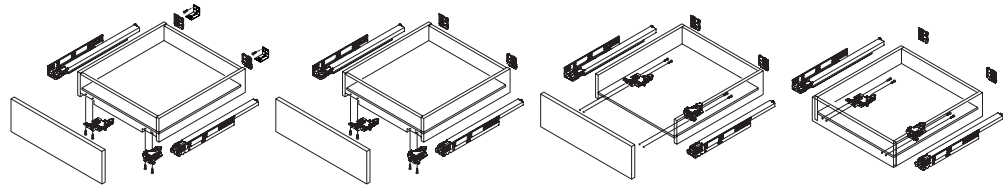


Grass Full Extension Accessories

Face Frame Application



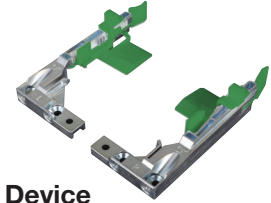
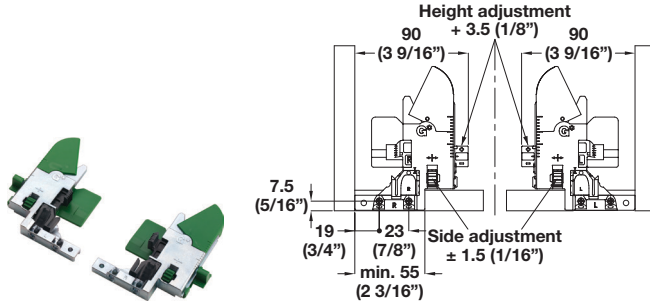
4-sided drawer 3D

4-sided drawer

3-sided drawer

Inset drawer

Fixing position of front locking device



Narrow Front Locking Device

- For narrow drawers
- Minimum inside drawer width 195 mm (3 3/4")
- Pre-drilling recommended

Material: Steel; Finish; zinc-plated

Version	Item No.
left	433.23.002
right	433.23.001

Front Locking Device

- For standard drawers
- Minimum inside drawer width 180 mm (7 3/32")
- Pre-drilling recommended

Material: Steel; Finish; zinc-plated

Version	Item No.
left	433.19.043
right	433.19.044



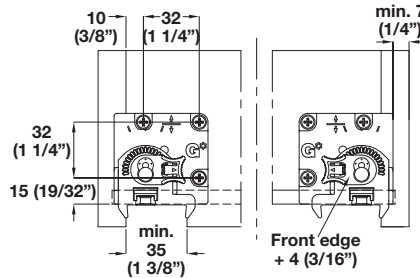
Rear Mounting Socket

- Non-handed
- For 12-21" slides

Material: Steel

Finish	Item No.
zinc-plated	433.19.051

Fixing position of adjustment adapter



Adjustment Adapter

- Required for 3-D
- Provides height adjustment + 4mm (5/32")

Material: Steel; Finish; zinc-plated

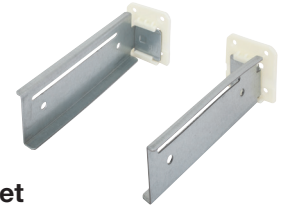
Version	Item No.
left	433.19.041
right	433.19.042

Rear Mounting Socket

- Non-handed
- For 9" slides
- Installation depth min. 269 – 299 mm (10 19/32" – 11 3/4")

Material: Steel

Finish	Item No.
zinc-plated	433.19.052



Supplied With

- Left socket
- Right socket
- 4 M5 x 8 screws



Dynapro/DWD Cabinet Drilling Jig

Material: Steel

Finish	Item No.
silver	433.19.020

Dynapro Drawer Drilling Template

Material: Plastic

Item No.
433.19.010

Note

Color may vary.

Dimensions in mm
Inches are approximate