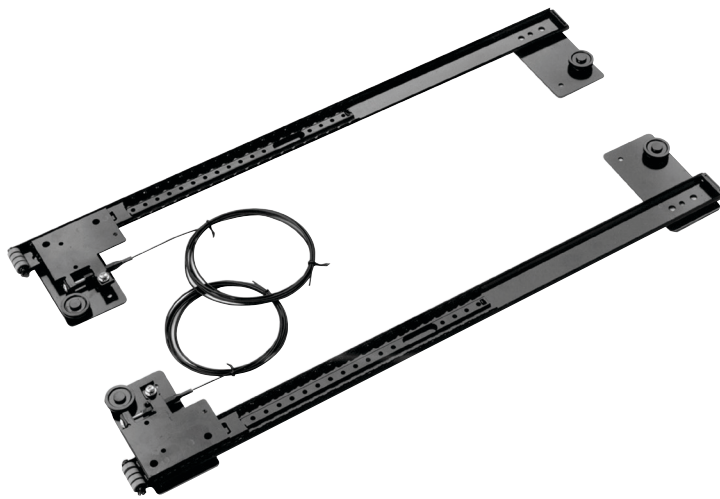


- Especially suited for use in larger door cabinets such as home theater applications
- For use with doors up to 60" high, 24" wide & weighing up to 35 lbs.
- Accommodates doors up to 1 1/4" thick
- Jigs or fixtures are not required to locate slide top and bottom, integral location tabs locate slides in cabinet
- Adjustment screws allow maximum adjustability, cable tensioning adjustment is located at the slide front
- Easily accessible from front of cabinet
- Steel cable is black nylon coated to reduce friction and enhance appearance
- Cable runs parallel with slide to ensure smooth operation, eliminating excess pressure on slide
- Positive out-stop on slide keeps door in alignment in closed position
- Soft rubber roller on slide front protects door front from scratches and marring
- Minimal installation and adjustment time for lower production costs
- 32 mm compatible
- Patent pending



XL Slide

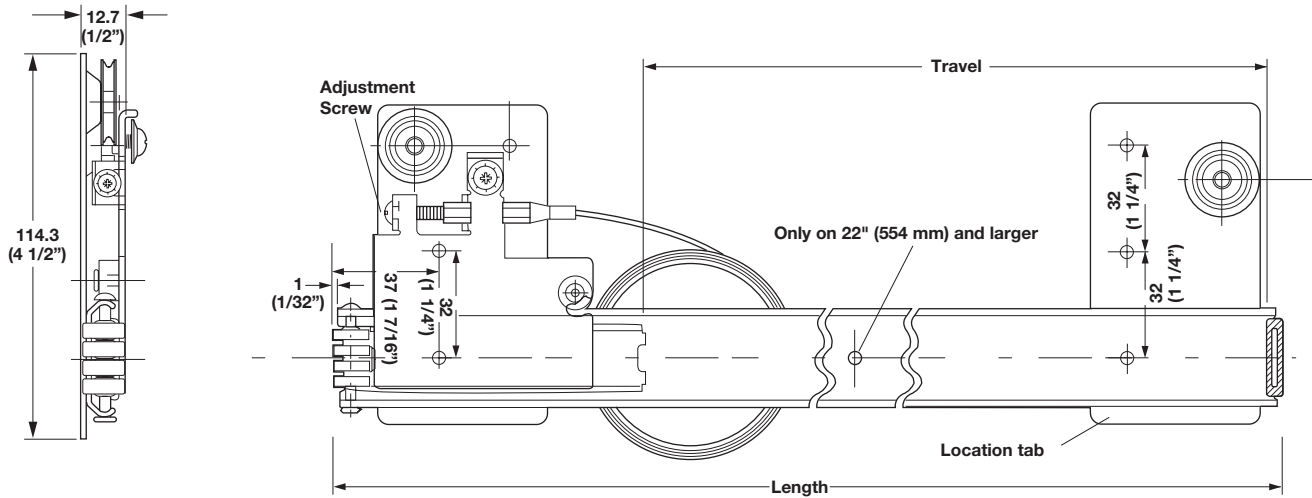
- With cables attached
- Travel distance = slide length - 114 mm (4 1/2")

Material: Steel, Zinc-electroplated and Plastic
Cable: Steel, nylon coated; Color: black

Length	Length	Item No.
408 (16 1/16")	294 (11 1/2")	408.24.315
440 (17 5/16")	326 (12 7/8")	408.24.324
504 (19 7/8")	390 (15 3/8")	408.24.333
536 (21 1/8")	422 (16 5/8")	408.24.342
600 (23 5/8")	486 (19 1/8")	408.24.351
664 (26 1/8")	550 (21 3/4")	408.24.360

Note

Accessory pack required to complete assembly.



Dimensions in mm
Inches are approximate

Accessory Pack

Page 7.135

Dimensional data not binding. We reserve the right to alter specifications without notice.