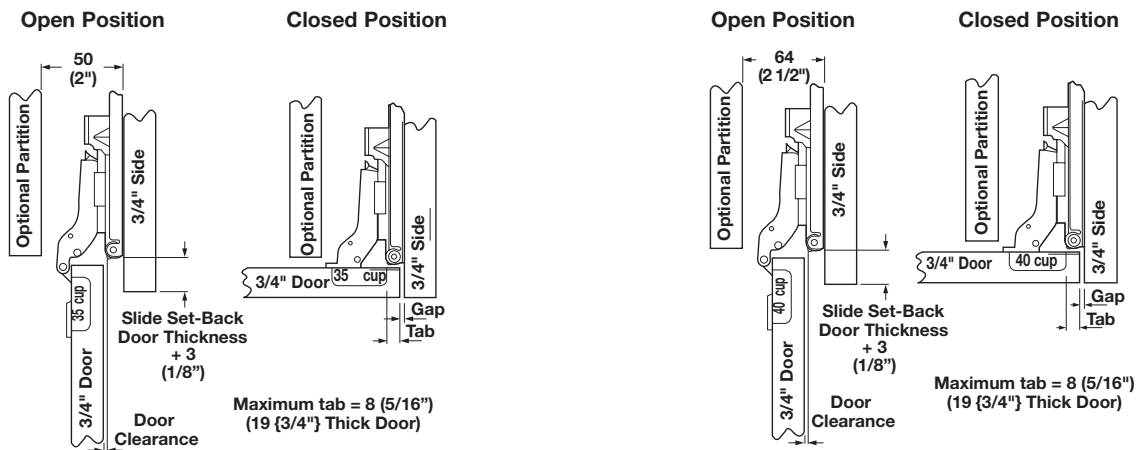
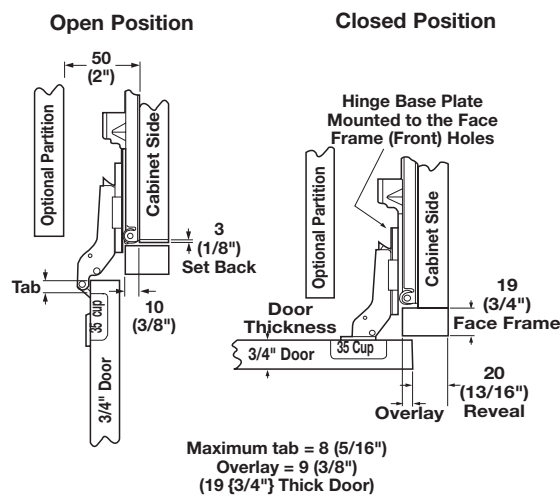


Accuride – 1234

Inset Frameless Application



Overlay Face Frame Application



Inset Application for Frameless Cabinets

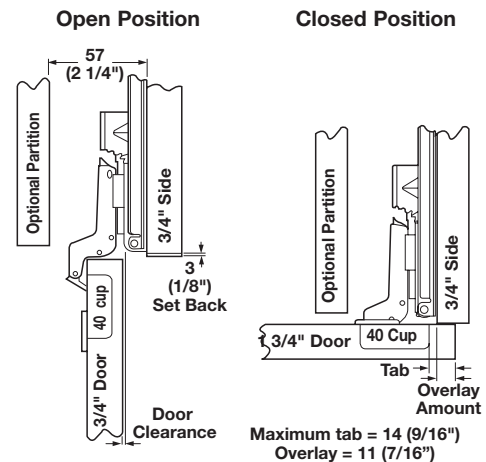
- Inset application for doors up to 19 mm (3/4") and up to 32 mm (1 1/4") thickness
- Requires a 40 mm cup hinge

Material: Steel

Finish	Item No.
zinc-plated	408.24.031

Supplied With

- 2 hinges
- 2 base plates
- Mounting hardware



Overlay Application for Frameless Cabinets

- Overlay application for doors up to 20 mm (13/16") thickness
- Requires a 40 mm cup hinge

Material: Steel

Finish	Item No.
zinc-plated	408.24.032

Supplied With

- 2 hinges
- 2 base plates
- Mounting hardware

Inset Frameless Application/Overlay Face Frame Application

- Inset application for doors up to 20 mm (13/16") thickness
- Overlay application for doors up to 20 mm (13/16") thickness

Material: Steel; Finish: zinc; Color: black

Length	Item No.
Inset door for frameless cabinets, 35 mm cup	408.24.030
Overlay door for face frame cabinets, 35 mm cup	

Supplied With

- 2 hinges
- 2 base plates
- Mounting hardware

Dimensional data not binding. We reserve the right to alter specifications without notice.