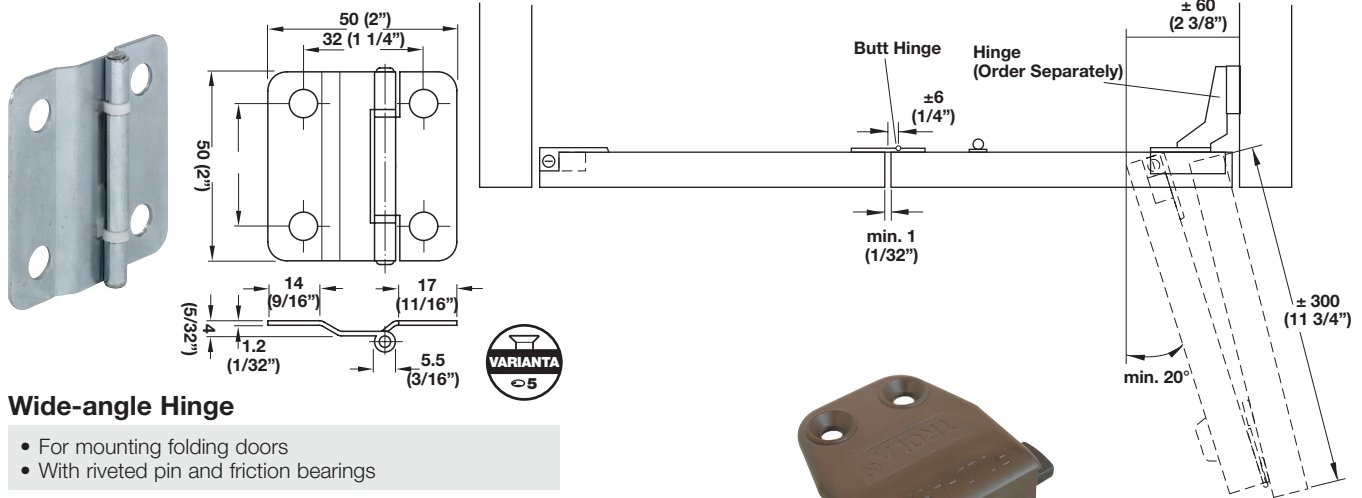


Lightweight System for Inset Doors

- Maximum door panel weight: 4 kg (9 lbs.)
- Maximum door thickness: 19 mm (3/4")
- Maximum door panel height: 1000 mm (39 3/8")
- Maximum door panel width: 300 mm (11 3/4")
- Standard drilling dimensions make easy to install Ø35 mm
- Combines the function of hinged and sliding doors which provide easy access to the cabinet
- For inset doors only
- Ideal for camper and mobile home manufacturers



Wide-angle Hinge

- For mounting folding doors
- With riveted pin and friction bearings

Material: Steel, galvanized; Friction bearing: Plastic

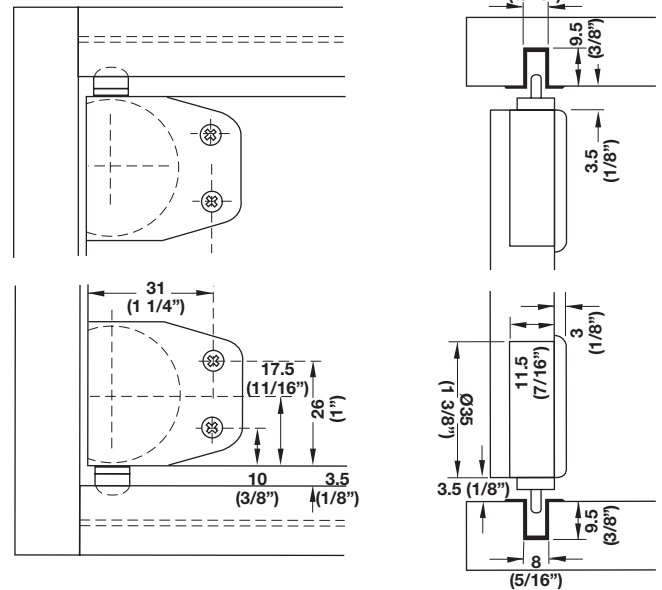
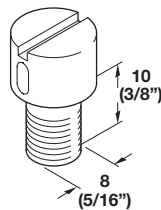
Color	Item No.
white	354.15.911



Adjustable Stop Pin

Material: Plastic

Color	Item No.
black	404.02.391



Door Guide Bolt

- Fits in 35 mm holes

Material: Plastic

Color	Item No.
white	404.02.702
brown	404.02.104

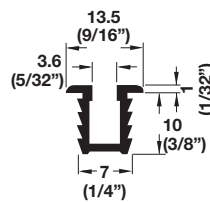


Guide Tracks

- 7 mm
- Length: 3.0 m (9' 10 1/8")

Material: Plastic

Color	Item No.
white	404.14.713
brown	404.14.110



Dimensional data not binding. We reserve the right to alter specifications without notice.