

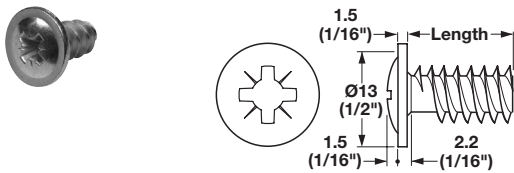
Cam-it Connector

- Mounts directly to underside of table top or desk
- Modular cam design allows pivoting connector to join panels together quickly and easily
- Connector can be hidden under the top panel when tables are separated

Material: Plastic

| Color | Item No. |
|-------|------------|
| black | 642.43.310 |

Supplied With
Drilling template

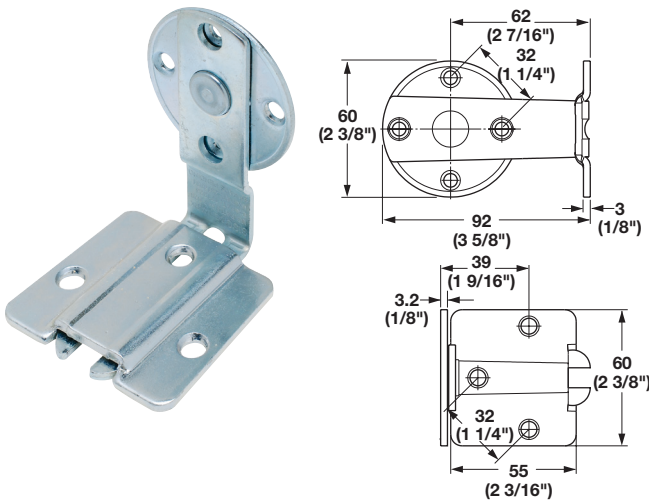


Washer Head Screw

- For Cam-it table connector

Material: Steel; Finish: zinc-plated

| Length | Item No. | Packing |
|-------------|------------|----------|
| 14 (9/16") | 013.10.149 | 200 pcs. |
| 29 (1 1/8") | 013.10.283 | 500 pcs. |



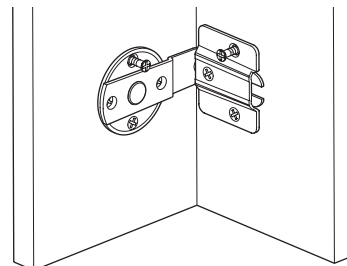
"90° Click Catch" Connector

- For joining panels at right angles, releasable
- Ideal for attaching desk modesty panels, exhibit displays, etc.
- Male portion rotates 360° with stops every 90°

Material: Steel

| Finish | Item No. |
|-------------|------------|
| zinc-plated | 642.42.930 |

Supplied With
Male piece
Female piece



Dimensional data not binding. We reserve the right to alter specifications without notice.