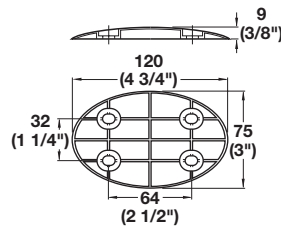
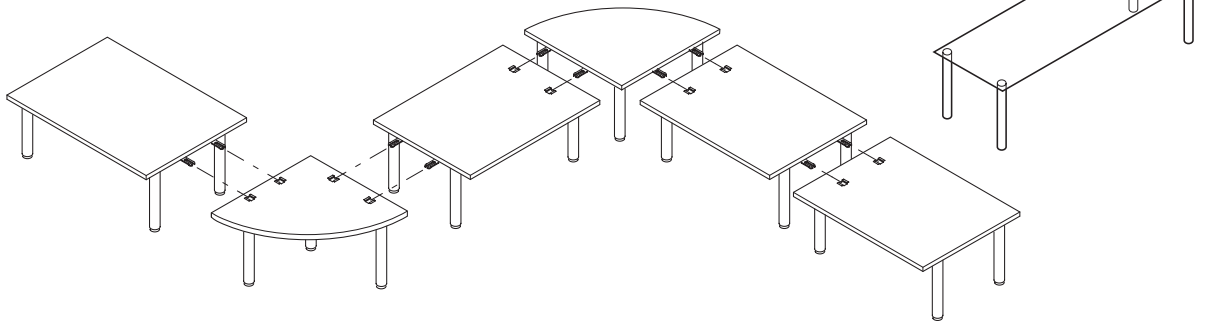


- Low profile, smooth finish
- Eliminates “snagging” of clothes
- Oblong holes allow for alignment of tops
- Strong, holds tops together flush and stable



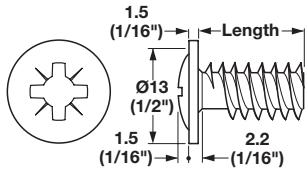
### Linkit Table Connector

- For tables and table-leaves
- Mounts to the underside of the table top

Material: Zinc, powder-coated

Color	Item No.
dark gray	642.43.300

6

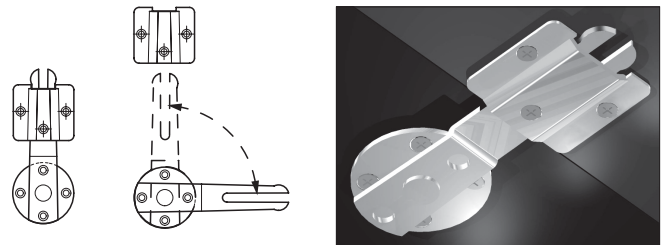


### Washer Head Screw

- For Linkit table connector

Material: Steel; Finish: zinc-plated

Length	Item No.	Packing
14 (9/16")	013.10.149	200 pcs.
29 (1 1/8")	013.10.283	500 pcs.



### “Click Catch” Table Connector

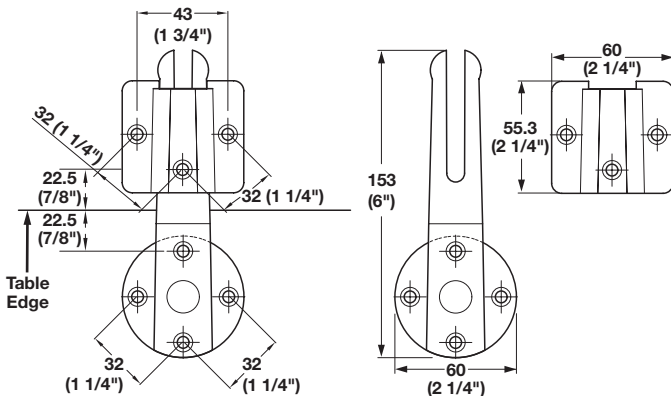
- Clicks together, no tool required for tightening
- Extremely thin design, will not interfere with leg movement
- For joining free-standing tables or table leaves
- Male portion rotates 360° with stops every 90°
- Completely concealed under table top

Material: Steel

Finish	Item No.
zinc-plated	642.42.900

#### Supplied With

- Male piece
- Female piece



Flat head screws

Pages 11.137-11.138, 11.140

Dimensions in mm  
Inches are approximate

Dimensional data not binding. We reserve the right to alter specifications without notice.