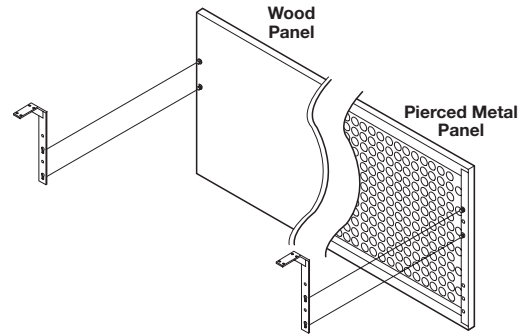
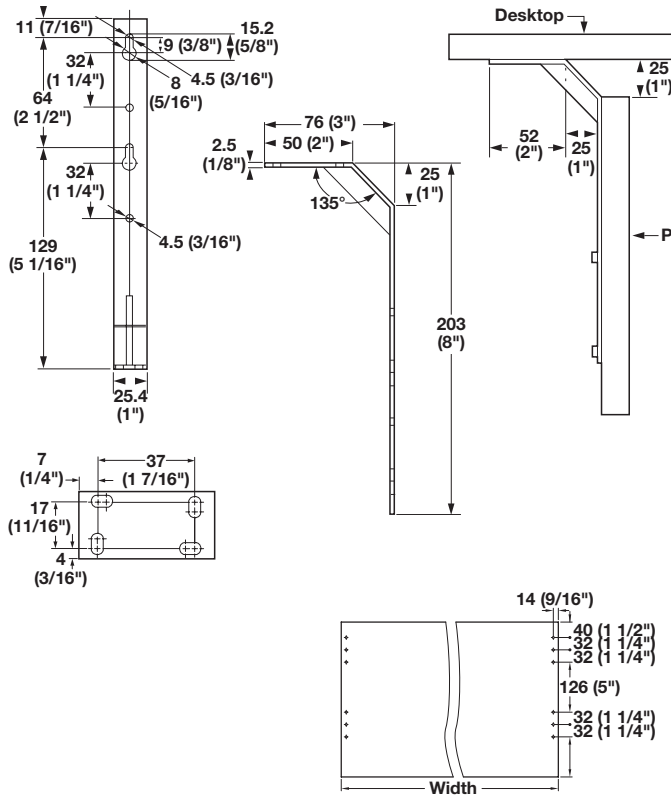


Modesty Panel Clip System

- Allows modesty panels to be attached to Ø60 mm (2 3/8") legs
- Recommended modesty panel height 400 mm (15 3/4")
- Panels are easily "clipped" on to legs, and are removable

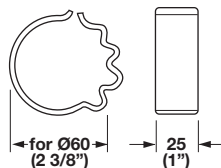
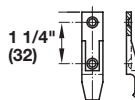
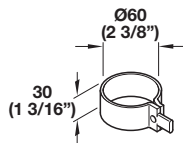
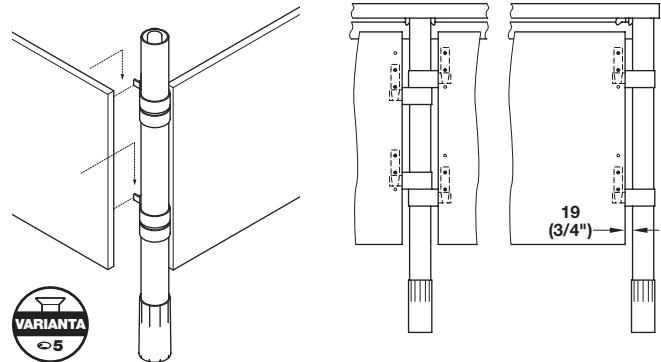


Modesty Panel Bracket

- Attaches pierced metal panels or wood modesty panels (provided by end user)

Material: Steel

| Color | Item No. |
|-------------|------------|
| black epoxy | 654.34.380 |



Panel Attachment Bracket

- Attaches with 10.5 mm (7/16") screw

Material: Plastic

| Color | Item No. |
|-------|------------|
| black | 654.34.390 |

Packing: 16 pcs.



Keku Panel Connector

Material: Plastic

| Color | Item No. |
|-------|------------|
| black | 262.49.357 |

Packing: 200 pcs.

Cable Clip

- Vertical; snaps over Ø60 mm (2 3/8") legs
- Keeps cables running vertically down the leg

Material: Plastic

| Color | Item No. |
|-------|------------|
| black | 631.08.300 |

Packing: 2 pcs.

Dimensional data not binding. We reserve the right to alter specifications without notice.

| | |
|-----------------|---------------------|
| Varianta screws | Pages 11.146 |
| Pan head screws | Pages 11.139-11.140 |

Dimensions in mm
Inches are approximate