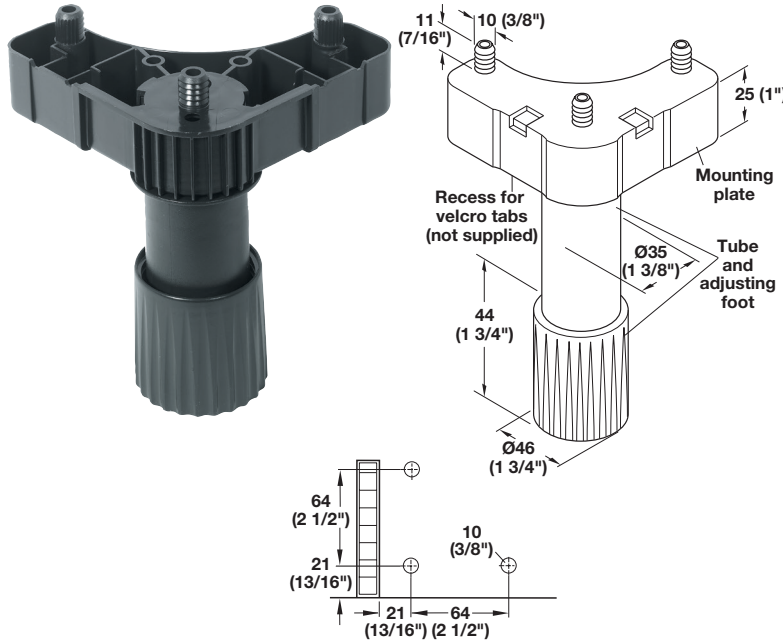
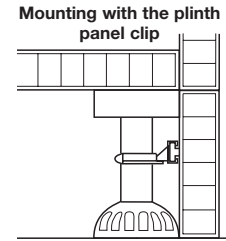
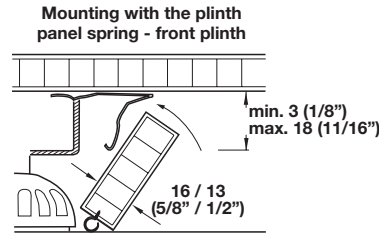


- Base heights listed are total including mounting plate, tube, and adjusting foot
- Bayonet locking of the tube in the mounting plate prevents the tube from pulling out during tilting, especially on tall cabinets
- Plinth panel attaches with the clips shown, or with Velcro applied to the mounting plate recess



Triangle Mounting Plate

- For Ø46 mm foot

Material: Plastic; Color: black

Mounting	Item No.
press-fit	637.79.310
screw-mount	637.79.311

Set Supplied With
4 plates

Adjustment Foot/Tube

- For Ø46 mm triangle mounting plate
- Load capacity: 150 kg (330 lbs.) each leg
- Heights listed are total, including mounting plate
- Adjustment range = -10/+18 mm

Material: Plastic; Color: black

Base Height	Item No.
80 (3 1/8")	637.80.360
100 (4")	637.80.361
120 (4 3/4")	637.80.362
150 (6")	637.80.363

Set Supplied With
4 feet/tubes

Plinth Panel Clip

- For triangular glide

Material: Plastic

Color	Item No.
black	637.81.342

Set Supplied With
4 panel holders
Pre-mounted nails

Plinth Panel Clip

- Groove-mounted
- For triangular glide

Material: Plastic

Color	Item No.
black	637.81.344

Set Supplied With
4 panel holders
Pre-mounted nails

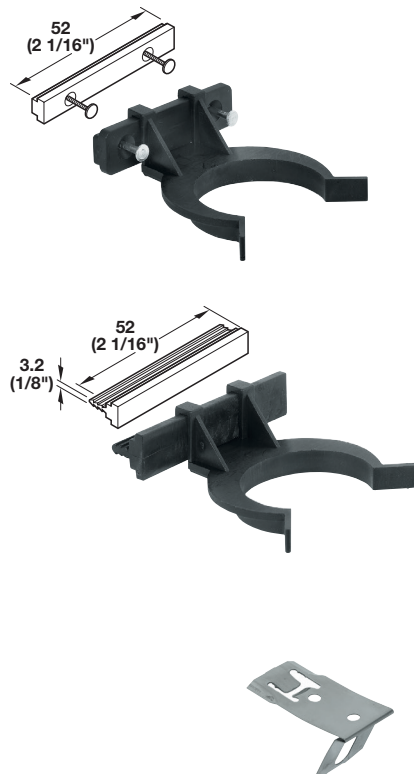
Plinth Panel Spring

- For front plinth mounting
- Plinth panel is removable with disassembly ring

Material: Stainless Steel

Item No.
637.81.330

Packing: 20 pcs.



Dimensional data not binding. We reserve the right to alter specifications without notice.