

Adjusts from above through a hole in cabinet bottom and from below with an open-ended wrench.

Base Leveler

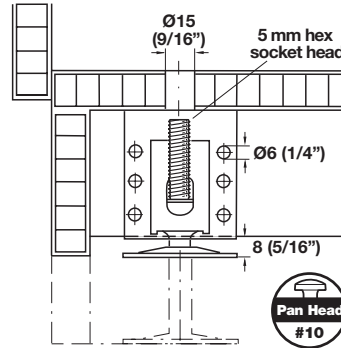
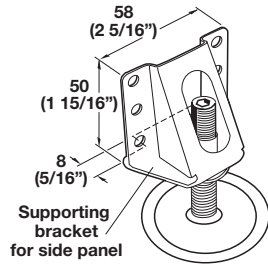
- With press-fit plugs
- Minimum installation height: 50 mm (2")
- Load capacity: 50 kg (110 lbs)
- Adjustment range: +20 mm (3/4")

Material: Leveler and cap: Plastic; Color: black
Bolt: Steel; Finish: zinc-plated

Length	Item No.
60 (2 3/8")	637.11.320
80 (3 3/16")	637.11.348

Supplied With

M8 bolt with slotted head
Base plate with plastic cap



Requires a Ø15 mm hole in the cabinet bottom for adjustment.

Heavy-duty Base Leveler

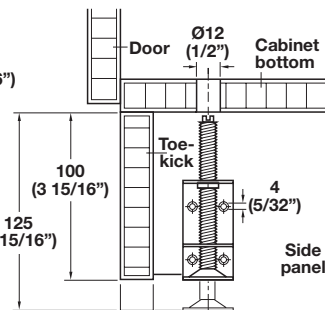
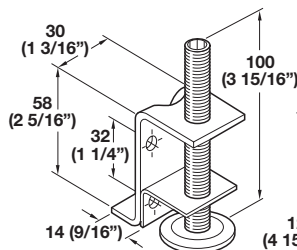
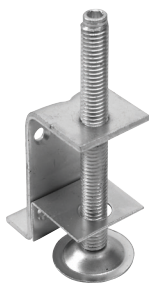
- With supporting bracket
- Screw-mounted
- Minimum installation height: 70 mm (2 3/4")
- Load capacity: 200 kg (440 lbs)
- Adjustment range: +45 mm (1 3/4")

Material: Steel

Finish	Item No.
zinc-plated	637.67.900

Supplied With

M12 X 65 (2 9/16") bolt with M5 mm hexagonal socket head
Base plate Ø60 mm



Base Leveler

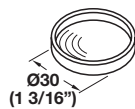
- With supporting bracket
- Screw-mounted
- Minimum installation height: 100 mm (4")
- Load capacity: 150 kg (330 lbs.)
- Adjustment range: + 32 mm (1 1/4")
- Adjusts via M5 hex key

Material: Steel

Finish	Item No.
zinc-plated	637.31.941

Supplied With

M10 X 100 (4") bolt
Swiveling base plate



Protective Cap, optional

- Snaps over swiveling base plate (order separately)

Material: Plastic

Color	Item No.
white	637.02.090

Dimensional data not binding. We reserve the right to alter specifications without notice.