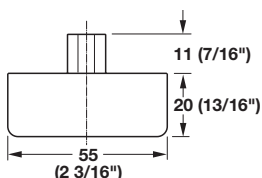


Furniture Foot

- Two-section furniture foot is simply knocked into place and can be height adjusted by 20 mm (total height 45 mm)
- Easily adjusted using an 8 mm hex key through the base of the furniture, an advantage for large units
- Press-fits into 20 mm hole
- Adapters available below, stack to increase height Ø55 mm

Material: Plastic

Color	Item No.
black	635.92.320



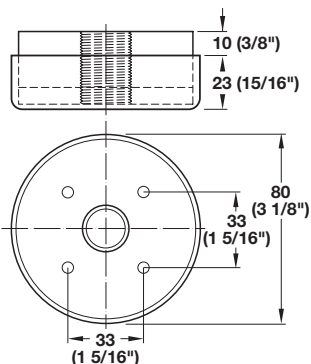
Height Adapter

Height: 20 mm (13/16")

Material: Plastic

Color	Item No.
black	635.92.382

6

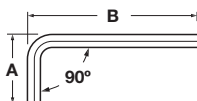


Furniture Glide

- Vertically adjustable 23 - 33 mm
- Extra-large contact area prevents furniture from sinking into the floor covering
- Provides effortless movement
- Hard abrasion proof surface, suitable for carpets Ø80 mm

Material: Plastic

Color	Item No.
black	635.83.308



90° Hex Key

Material: Steel

Size	Finish	A x B	Item No.
M4	black	25 x 65	008.28.044
M5	zinc-plated	25 x 65	008.28.062