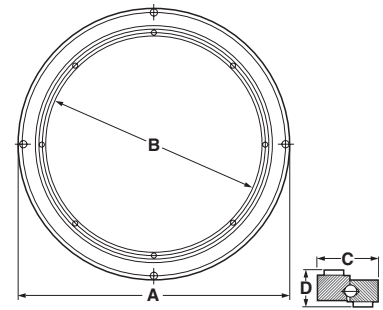


- 360° rotation
- Quantity of through holes and non-skid pads depends on model
- Pads can be removed and drilled through if positive attachment is necessary
- Through holes are countersunk with Ø4.5 mm (3/16")



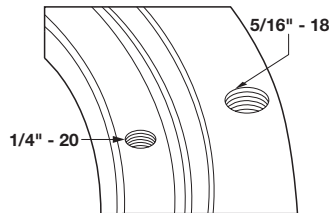
### Heavy Duty Turntables

- For high quality applications
- Rotates 360° on steel ball bearings

Material: Aluminum

A Outer Dia.	B Inner Dia.	C Width	D Height	Load Capacity	Holes Inner	Pads Inner	Holes Outer	Pads Outer	Item No.
230 (9")	169 (6 5/8")	31 (1 1/4")	15 (9/16")	50 kg (110 lbs.)	4	0	0	5	646.20.022
325 (12 3/4")	256 (10 7/16")	30 (1 3/16")	15 (9/16")	80 kg (175 lbs.)	6	0	0	6	646.20.023
442 (17 1/2")	380 (15")	31 (1 1/4")	20 (13/16")	125 kg (275 lbs.)	6	6	0	8	646.20.024
600 (23 5/8")	520 (20 1/2")	40 (1 9/16")	22 (7/8")	250 kg (550 lbs.)	4	8	0	10	646.20.025
750 (29 5/8")	670 (26 3/8")	40 (1 9/16")	22 (7/8")	400 kg (880 lbs.)	5	10	0	13	646.20.026

5



### Heavy Duty Turntable

- With threaded inner and outer through holes for "bolting down" of turntable

Material: Aluminum

A Outer Dia.	B Inner Dia.	C Width	D Height	Load Capacity	Holes Inner	Pads Inner	Holes Outer	Pads Outer	Item No.
325 (12 3/4")	265 (10 7/16")	30 (1 3/16")	15 (9/16")	80 kg (175 lbs.)	6 with 1/4"-20	0	6 with 5/6"-18	6 Separate	646.20.006



### Heavy Duty Turntable

- With protruding tabs with holes for mounting

Material: ABS Plastic; Color: black

A Outer Dia.	B Inner Dia.	C Width	D Height	Load Capacity	Holes Inner	Pads Inner	Holes Outer	Pads Outer	Item No.
455 (18")	380 (15")	38 (1 1/2")	18 (11/16")	100 kg (220 lbs.)	8 (Ø3)	8	4 (Ø3.5)	8	646.19.370

Dimensions in mm  
Inches are approximate

Dimensional data not binding. We reserve the right to alter specifications without notice.