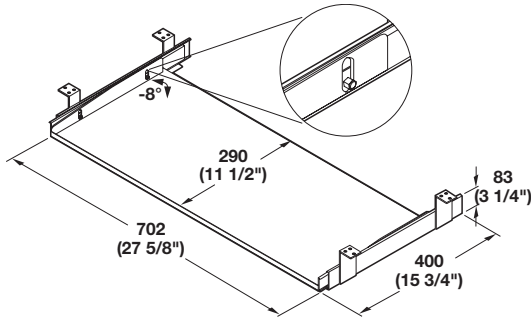


- For occasional users or home office
- Simple assembly is required



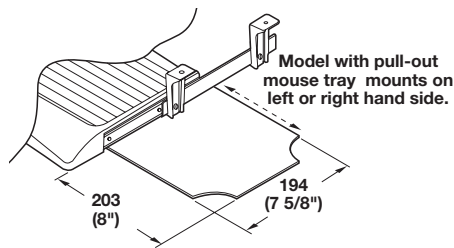
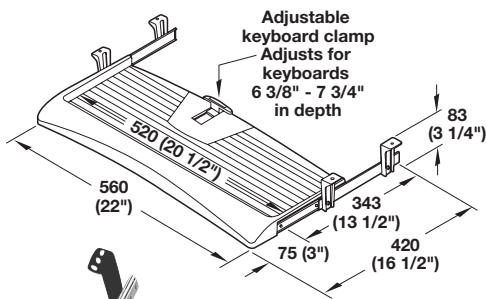
- Features ball bearing slides with hold-out detent and lever release
 - Large metal tray offers plenty of room for mousing and tilts from 0° to -8°
 - Tray angle is adjusted via nut and bolt
- Installed depth: 400 (15 3/4")
 Extended depth: 679 (26 3/8")
 Min. width required for installation: 780 (30 3/4")

Material: Tray and brackets: Steel
 Ball bearing slides: Steel; Finish: zinc-plated

Color	Item No.
black	632.67.300

Supplied With
 Mounting hardware

5



- Adjustable keyboard clamp
 - Ball bearing slides with hold-in and hold-out detents
 - Sloped edge functions as a comfortable wrist rest
- Installed depth: 420 (16 1/2")
 Extended depth: 679 (26 3/4")
 Min. width required for installation: 600 (24")
 Load rating: 20 kg (44 lbs.)

Material: Tray and brackets: Plastic; Color: black
 Ball bearing slides: Steel; Finish: zinc-plated

Model	Item No.
without mouse tray	632.65.300
with mouse tray	632.65.305

Supplied With
 Mounting hardware

Dimensions in mm
 Inches are approximate