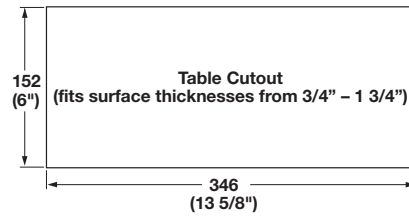
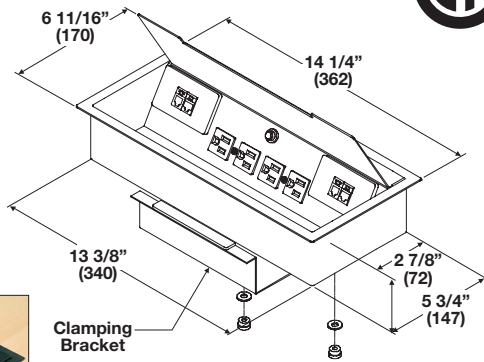
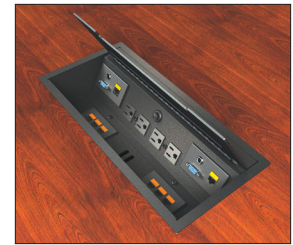


**Power / Data**



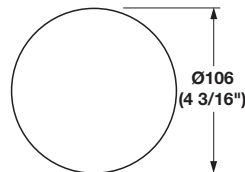
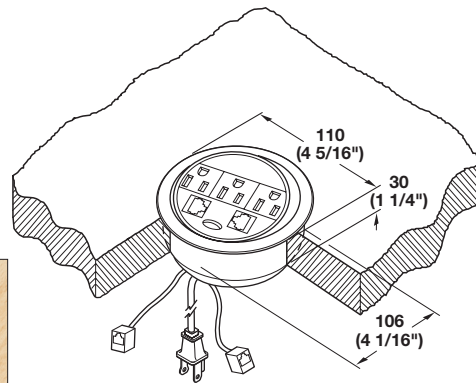
**Power/Data Center – Interface**

- Accepts up to 4 configurable data plates – must be ordered separately
- Table top flip-up unit, with 4 grounded outlets and 15 amp circuit breaker
- UL listed and CSA certified

Material: Steel, epoxy-coated

Color	Item No.
black textured	822.89.300

**Supplied With**  
6 ft. Power cord



**Power/Data Station**

- Table top flip unit, 12A, 125V, with 3 grounded outlets and 2 universal data modules for either RJ-11 Cat. 3 or RJ-45 Cat. 5 connections
- Easily swivels to a closed position when not in use
- UL listed

Material: Plastic

Color	Item No.
black	822.88.300

**Supplied With**  
10 ft. Power cord

**Note**

Thicker tops require grooving on the bottom of the work surface to accommodate wiring.

Dimensional data not binding. We reserve the right to alter specifications without notice.