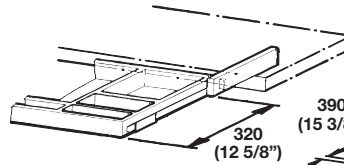


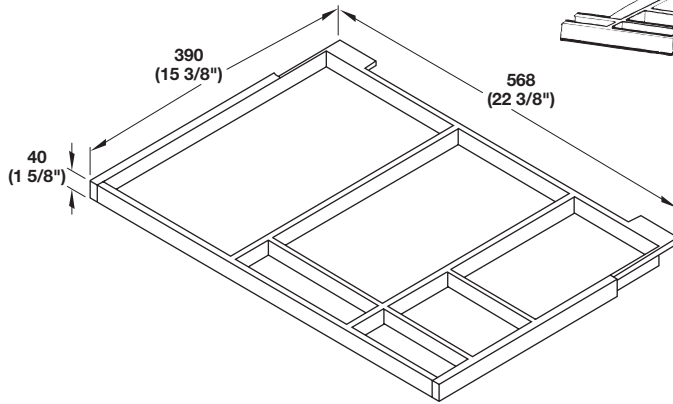
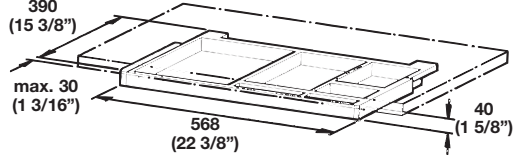
- Positive open position stop
- Easy disconnect
- Integral plastic slides that mount easily under worksurface



Pencil drawer extended:



Pencil drawer retracted:



**Pencil Drawer**

- 6 compartments

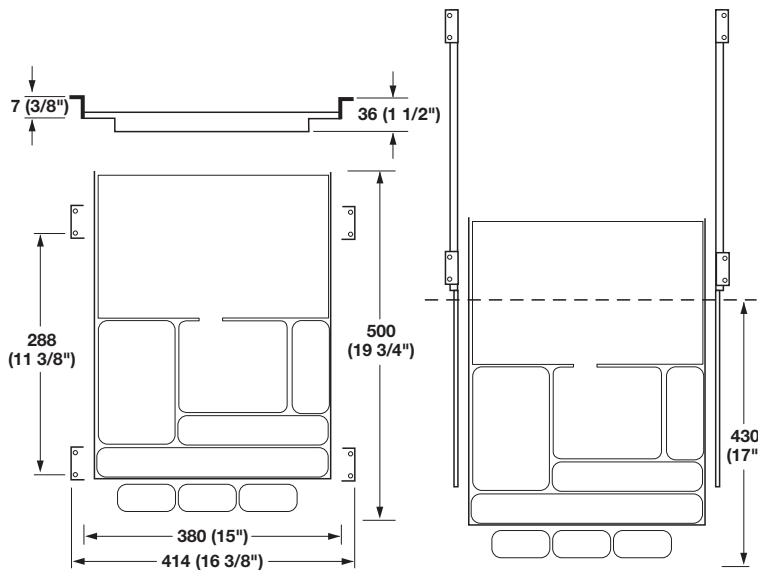
Material: Textured Plastic

Color	Item No.
black	429.57.308

**Supplied With**

Screws

5



**Pencil Drawer**

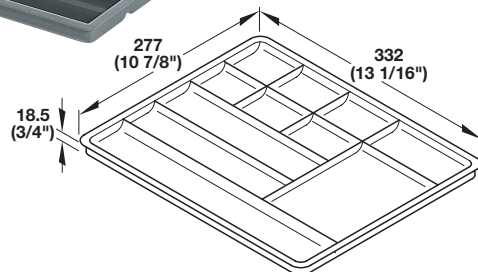
- 9 compartments
- With ball bearing slides

Material: Textured Plastic; Slides: Steel

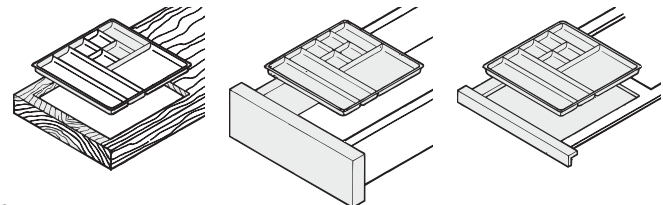
Color	Item No.
black	429.57.300

**Supplied With**

Screws



The utensil trays fit into special openings of wood and metal or can sit on drawer edges.



**Utensil Tray**

- 11 compartments
- Easily mounted in wood drawers

Material: Plastic

Color	Item No.
charcoal gray	818.04.051

**Supplied With**

Screws

Dimensions in mm  
Inches are approximate

Dimensional data not binding. We reserve the right to alter specifications without notice.