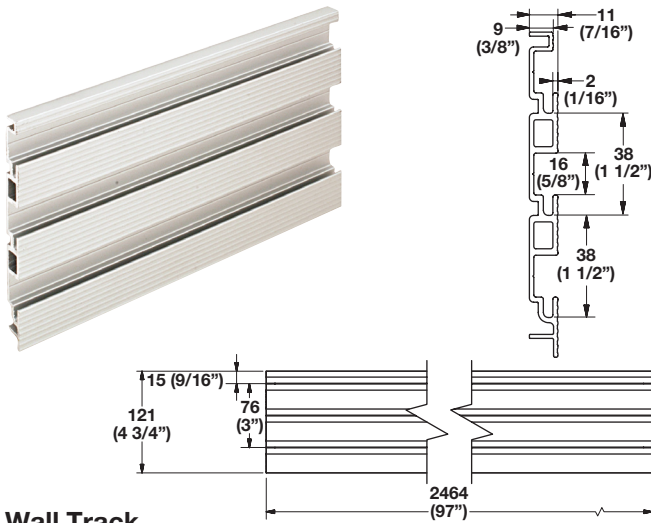


4



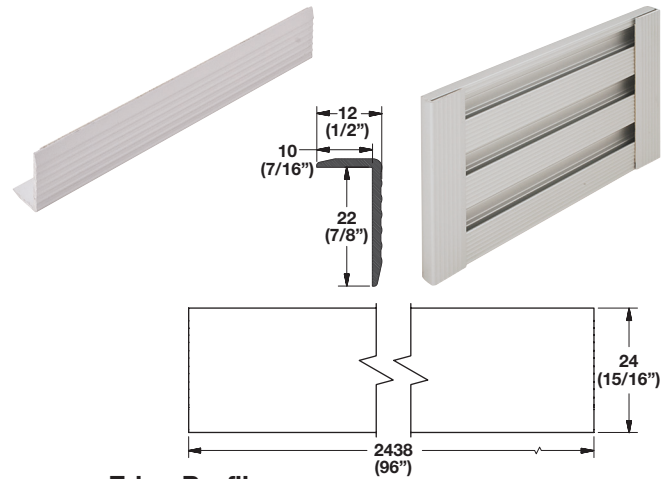
Wall Track

- For organization of hooks, bins, and baskets for garages, craft rooms, laundry rooms, etc.
- Can be used singly or configured into a panel by seamlessly overlapping the tracks above one another
- Cut with a circular saw with a non-ferrous blade
- Attach tracks to studs in dry wall with pan head screws below

W x D X H: 2464 x 121 x 11 mm (97" x 4 3/4" x 1/2")

Material: Aluminum

Finish	Item No.
matt aluminum	792.00.000

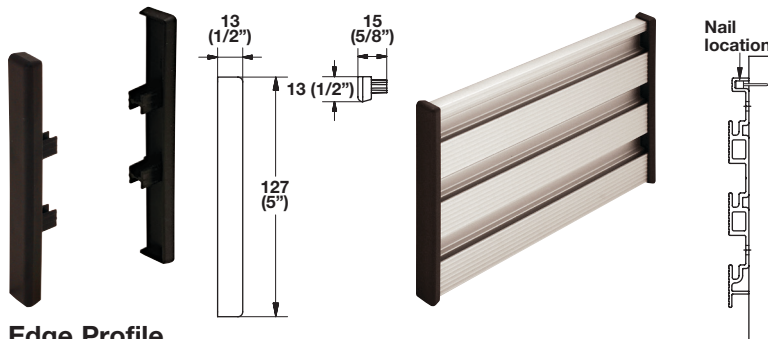


Edge Profile

- Covers the ends of the wall track above for a finished look
 - Attaches to the wall track with mounting tape below
 - Cut with a circular saw with a non-ferrous blade
- W x H: 24 x 2438 mm (15/16" x 96")

Material: Aluminum

Finish	Item No.
matt aluminum	792.01.000



Edge Profile

- Covers the ends of one piece of wall track above for a finished look
 - Cannot be used on tracks that overlap above or below each other
 - Attaches to the wall track with attached dowels that slide into the end of the track
- W X H: 127 x 13 mm (5" x 1/2")

Material: Plastic

Color	Item No.
black	792.00.320

Set Supplied With

- 1 right profile
- 1 left profile



Nail

- For wall track installation
 - Used as a temporary means to position the wall track above on a wall
 - Once position is determined, locate studs in the wall and drill a 5 mm (3/16") hole in the top and bottom channel of track to secure track with screws below
- W x L: 1.4 x 30 mm (1/16" x 1 3/16")

Material: Body: Steel; Color: black; Head: Brass

Item No.	Packing
792.01.997	1 pkg. (500 pcs.)
792.01.998	1 pkg. (50 pcs.)



Mounting Tape

- Attaches the aluminum edge profile above to the wall track
 - Cures in 72 hours at 68–72°
- W x L: 12 mm x 33 m (1/2" x 108")

Material: Acrylic

Item No.
792.01.995

Screw, pan head

- Attaches the wall track above to studs

Material: Steel

Color	Size	Drive	Item No.
gray (regular)	#10 x 2"	phillips	792.01.990
steel (self-tapping)	#10 x 2 1/2"	combi	792.01.992

Dimensions in mm
Inches are approximate

FC 4.8

KE Hardware Inc. - 3907 Falls Rd, Baltimore, MD 21211 - Phone (877) 220-3800 <http://www.buyhafele.com> or www.kehardware.com

Dimensional data not binding. We reserve the right to alter specifications without notice.