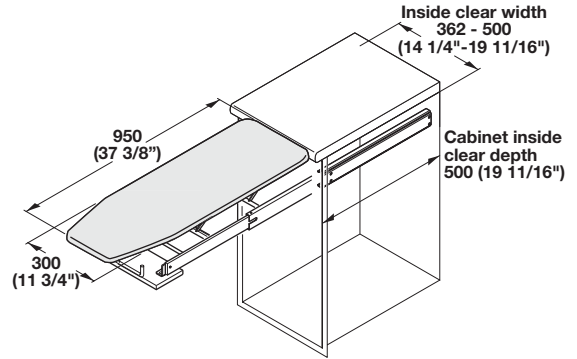


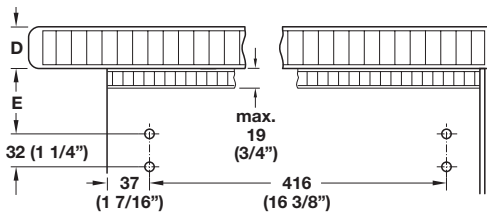
Ironfix®

- Space-saving, cabinet drawer installation
- Continuous width adjustment for inside clear widths of 362 - 500 mm (14 1/4" - 19 11/16")
- Inside clear depth 500 mm (19 11/16")
- Integrated spring mechanism
- Drawer front folds down to allow for trousers, shirts, etc.
- Support extends automatically as ironing board is pulled out

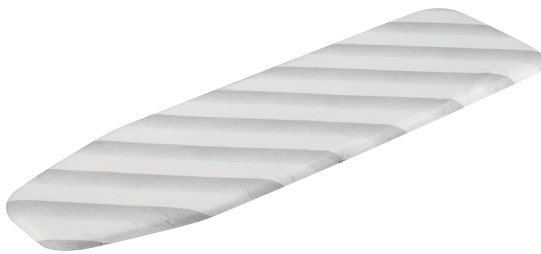


4

Use the below dimensions to match ironing surface to countertop height.



D	20 (7/8")	30 (1 1/8")	40 (1 1/2")	50 (2")
E	86 (3 3/8")	76 (3")	66 (2 1/2")	66 (2 1/2")



Built-in Ironing Board

Material: Steel, epoxy-coated; Surface: heat-resistant striped fabric-covered

Color	Item No.
white RAL 9016	568.60.710

Supplied With
Installation hardware
Mounting instructions
Runners

Replacement Heat-resistant Cover

- For ironing board with elastic band

Material: Natural Cotton, foam-backed

Color	Item No.
white/gray striped	568.60.907

Sleeve Board, optional

- Retrofits easily to Ironfix™ built-in ironing board

Color	Item No.
white RAL 9016	568.61.700

Replacement Heat-resistant Cover

- For sleeve board with elastic band

Material: Natural Cotton, foam-backed

Color	Item No.
white/gray striped	568.60.916

Dimensions in mm
Inches are approximate