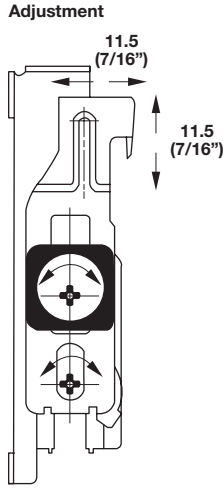


- Concealed within the interior of the cabinet side panel
- A cabinet back is not required
- Eliminates the gap between the cabinet and the wall
- Unhanded, can be used on either left or right side of cabinet



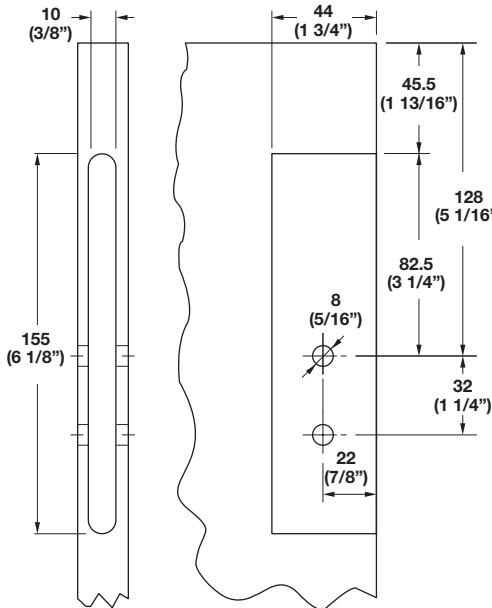
Cabinet Hanger

- For wall rail suspension
- Load carrying capacity per pair: 65 kg (143 lbs.)
- Adjustments: Vertical: 11 mm (7/16''); Depth: 11 mm (7/16'')

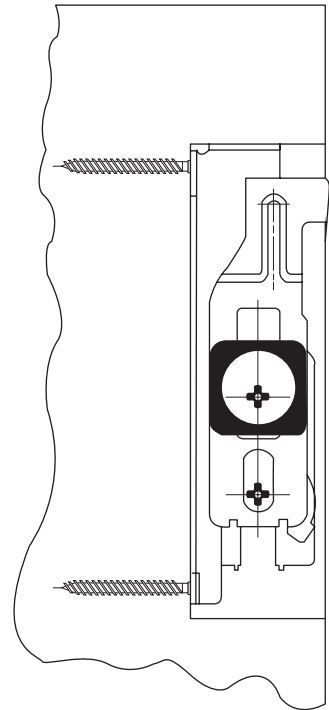
Material: Steel

Finish	Item No.
zinc-plated	290.21.940

Drilling of the side



Assembly



Dimensional data not binding. We reserve the right to alter specifications without notice.

Flat head screws

Pages 11.137-11.138, 11.140

Dimensions in mm
Inches are approximate

FC **4.59**