

Screw-mounted Cabinet Hanger

- For rail suspension
- Load carrying capacity per pair: 130 kg (286 lbs.)
- Adjustments: Vertical: 16 mm; Depth: 14 mm; Lateral: 5 mm

Material: Steel, galvanized

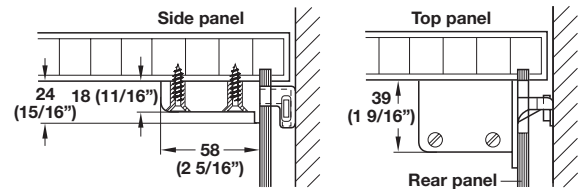
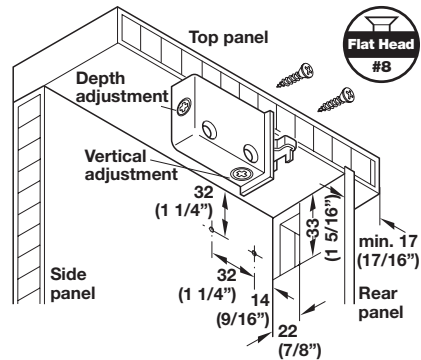
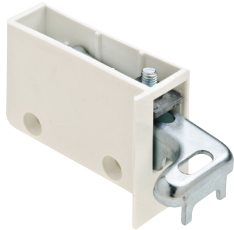
	Item No.
left	290.02.711
right	290.02.710

Clip-on Cover Cap, optional

- For above hanger

Material: Plastic

Color	Left	Right
brown	290.02.191	290.02.190
tan	290.02.481	290.02.480
white	290.02.781	290.02.780
cream/white	290.02.791	290.02.790
black	290.02.391	290.02.390

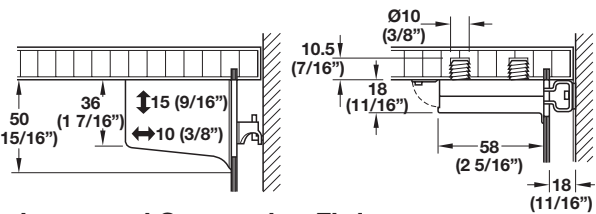
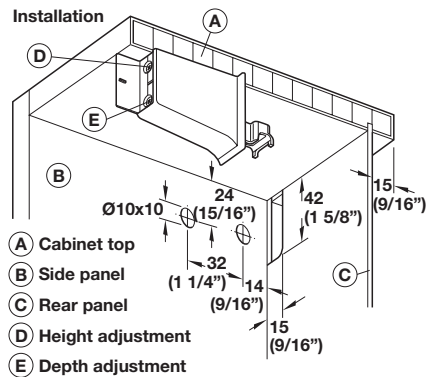


Screw-mounted Suspension Fitting

- For rail suspension
- Load carrying capacity per pair: 150 kg (330 lbs.)
- Adjustments: Vertical: 12 mm; Depth: 14 mm; Lateral: 12 mm

Material: Housing: Plastic; Color: white; Hook: Steel

	Item No.
left	290.00.701
right	290.00.700



Dowel-mounted Suspension Fitting

- For rail suspension
- Load carrying capacity per pair: 130 kg (286 lbs.)
- Adjustments: Vertical: 15 mm; Depth: 15 mm; Lateral: 10 mm

Material: Housing: Plastic; Color: white; Hook: Steel

	Item No.
left	290.31.711
right	290.31.710

Dimensional data not binding. We reserve the right to alter specifications without notice.

Flat head screws

Pages 11.137-11.138, 11.140