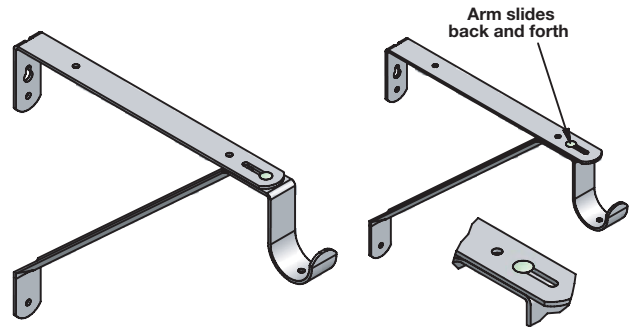
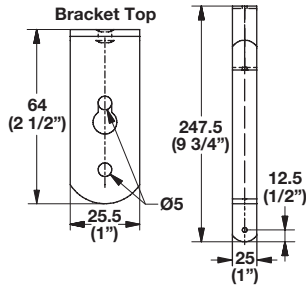
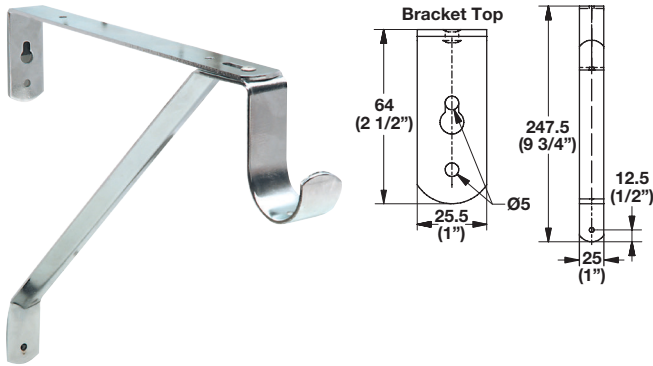
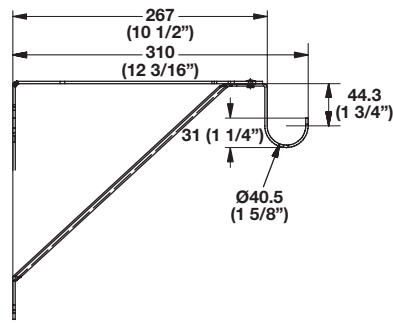


- Heavy duty steel
- Horizontal member adjusts 19 (3/4") for optional 3/4" cleat



4

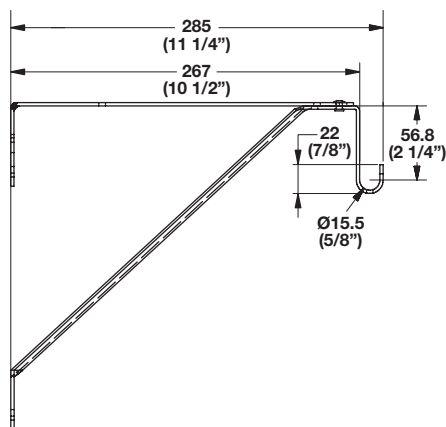
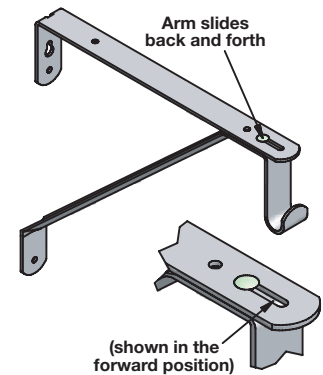
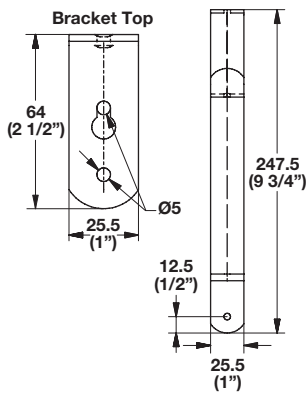


### Wardrobe Bracket

- For round tube Ø40 mm (1 9/16")

Material: Steel, plated or epoxy-coated

| Finish/Color | Item No.   |
|--------------|------------|
| chrome       | 805.39.202 |
| white epoxy  | 805.39.702 |



### Wardrobe Bracket

- For oval tube Ø15 mm (9/16")

Material: Steel, plated or epoxy-coated

| Finish/Color | Item No.   |
|--------------|------------|
| chrome       | 805.39.201 |
| white epoxy  | 805.39.701 |

Pan head screws

Pages 11.139-11.140

Dimensions in mm  
Inches are approximate