

- Particularly suitable for installing in cabinets with laundry hamper on previous page
- The door is opened under spring tension by approximately 27° by applying pressure directly to the door
- When the door is closed, the flap is pushed back into the cabinet and secured by the Mini Latch
- For cabinet sizes from 820 mm (32 5/16") high, 400 mm (15 3/4") wide inside cabinet depth of at least 270 mm (10 5/8")

Note

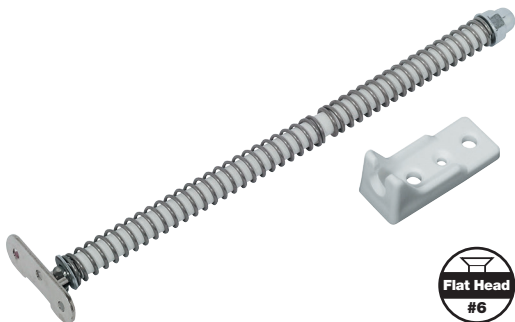
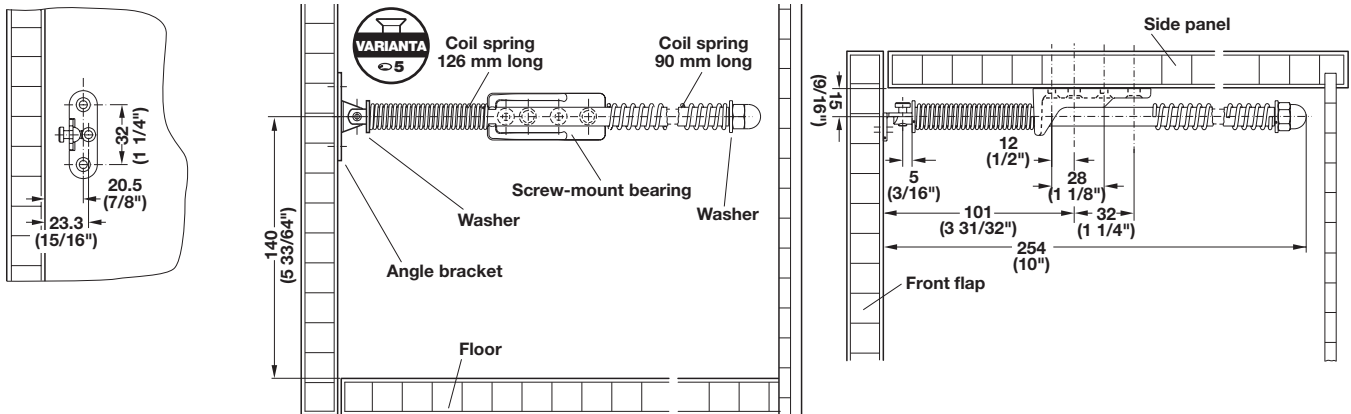
The hinge with the coil springs is designed to support a particle board front with the maximum dimensions 590 mm (23 1/4") high, 400 mm (15 3/4") wide and 19 mm (3/4") thick and a maximum weight when full of 5 kg (11 lbs).

Note

For installation of the front flap, 2 cup hinges and a Mini Latch are required, see below.



The door is opened by pushing against the door panel. The pressure triggers the release spring in the fitting and the door opens automatically. To close the door, slightly press against the door panel.



FLAP-EX Flap Hinge

Material: Steel; Bearing: Plastic

Finish	Item No.
nickel-plated	365.52.708

Supplied With

- Angle bracket
- Rod with plastic sleeve
- 2 Washers
- 2 Coil springs
- Bearing

Note

Completely assembled

Mounting Instructions

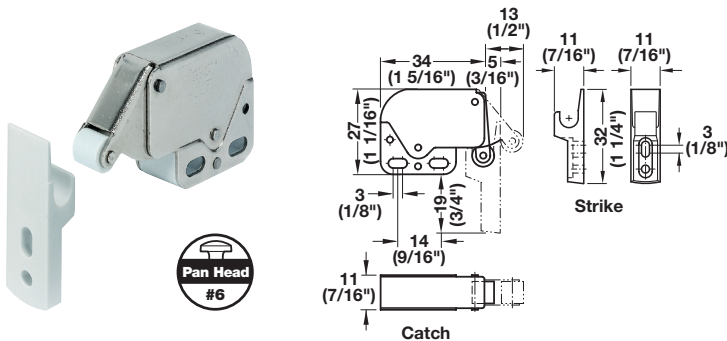
Screw the angle bracket to front panel and screw-mount bearing to cabinet side panel; see mounting drawing on the right. Push round rod into the screw-mount bearing between the two coil springs.

Mini Latch

- Screw-mounted, with strike

Material: Catch: Steel; Strike: Plastic; Color: white

Finish	Item No.
nickel-plated	245.54.701



Varianta screws	Page 11.146
Flat head screws	Pages 11.137-11.138,11.140
Pan head screws	Pages 11.139-11.140

Dimensional data not binding. We reserve the right to alter specifications without notice.

Dimensions in mm
Inches are approximate