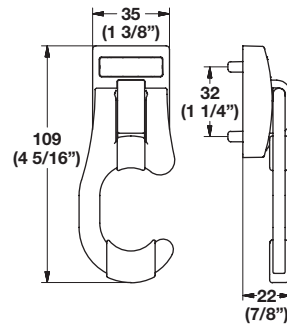
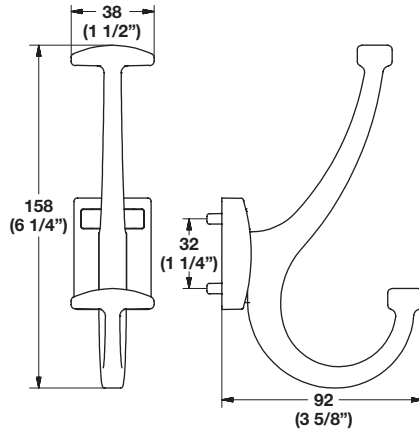


Synergy Elite

- Hooks are to be used on pre-constructed or customer supplied cleat boards
- There are 5 mm pins on back of base to help pre-install by lining up the hooks on the boards
- To secure hook to board, there are two #8 holes for screws and cover caps furnished to conceal from view



4



Broom Hook

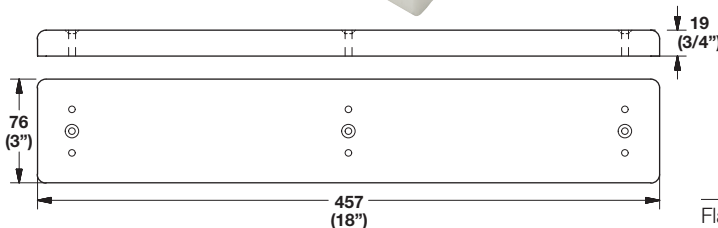
- Cleat mount
 - For long handle items like brooms and mops
- L x W x H: 35 x 22 x 109 mm (1 3/8" x 7/8" x 4 5/16")

Material: Zinc

Finish	Item No.
polished chrome	807.69.250
matt aluminum	807.69.050
matt nickel	807.69.650
polished brass	807.69.850
dark oil-rubbed bronze	807.69.150

Supplied With

- Screws
- Cover caps



Cleats

- Pre-drilled boards to mount cleat hooks
 - Three stations for hooks per board
 - Three #8 flat head screws are required to mount to wall (customer supplied)
- L x W x H: 457 x 19 x 76 mm (18" x 3/4" x 3")

Material: Wood

Finish	Item No.
white	807.69.700
almond	807.69.400
candlelight	807.69.102
chocolate pear	807.69.104
cognac	807.69.106
hard rock maple	807.69.500
pearwood	807.69.300
cherry	807.69.900

Flat head screws

Pages 11.137-11.138,11.140

Dimensions in mm
Inches are approximate

Dimensional data not binding. We reserve the right to alter specifications without notice.